



SLIDE AND STACK

Stacking configuration (sample) FANTASY

1503 W. San Pedro St., Gilbert, Arizona 85233

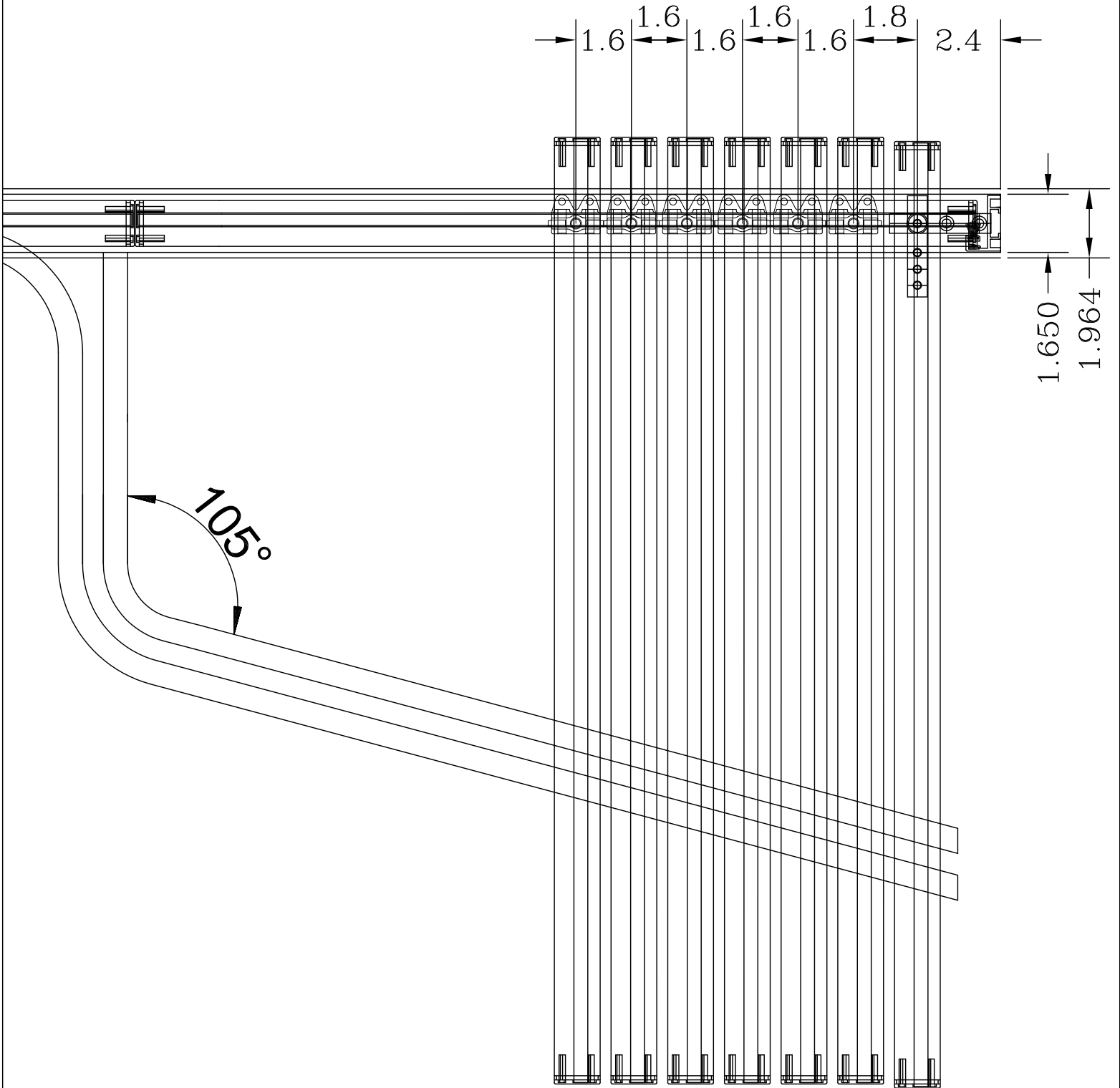
VOICE: 480-892-2600 / FAX : 480-892-0951

CO1

DATE:

1/24/11

E:\DRAWINGS\BROPAGES\M\M.DWG



SCALE: 1:4



SLIDE AND STACK

Stacking configuration (sample) FREESLIDE

1503 W. San Pedro St., Gilbert, Arizona 85233

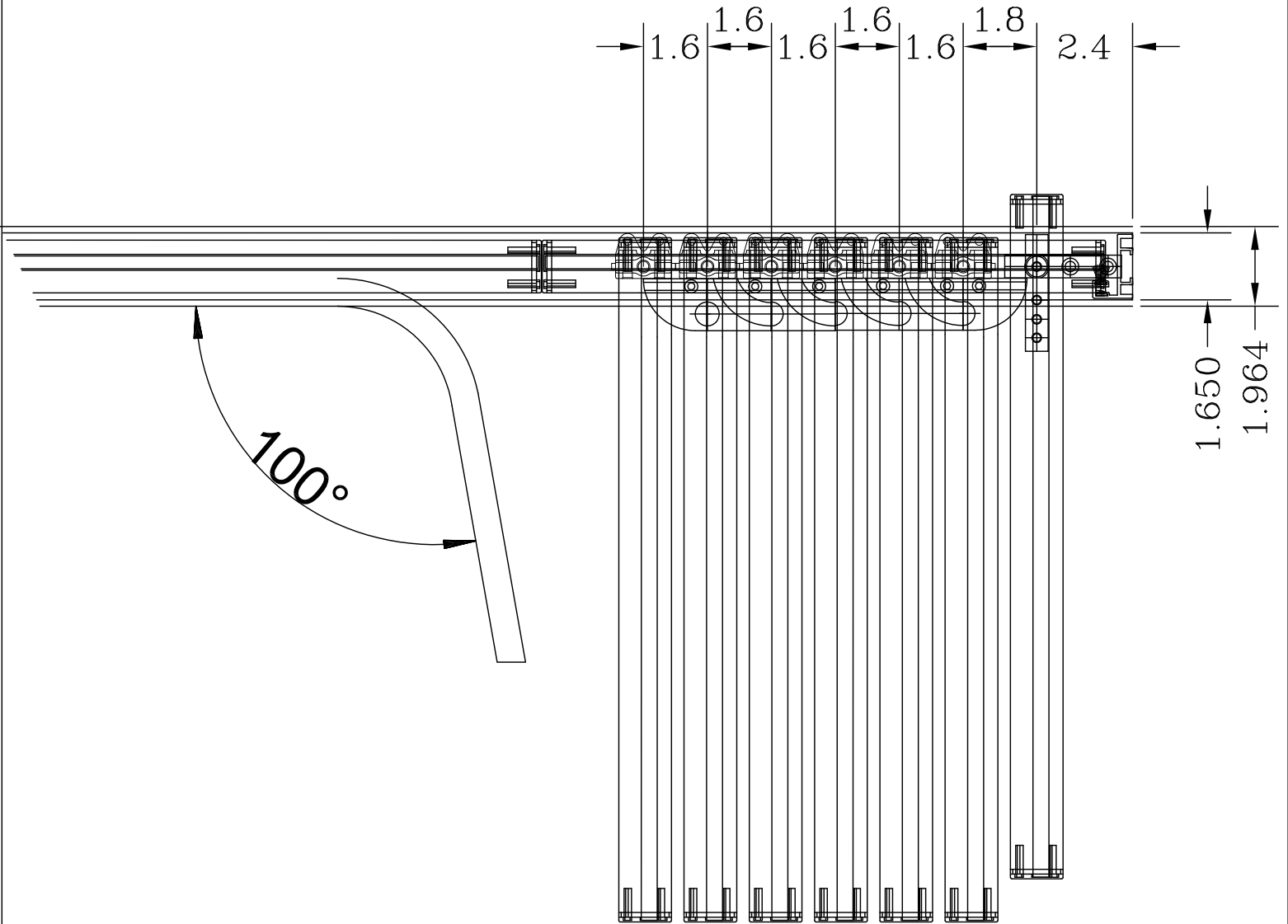
VOICE: 480-892-2600 / FAX : 480-892-0951

CO2

DATE:

1/24/11

R:\DRAWINGS\BROPAGES\M.M.DWG



SCALE: 1:4



SLIDE AND STACK

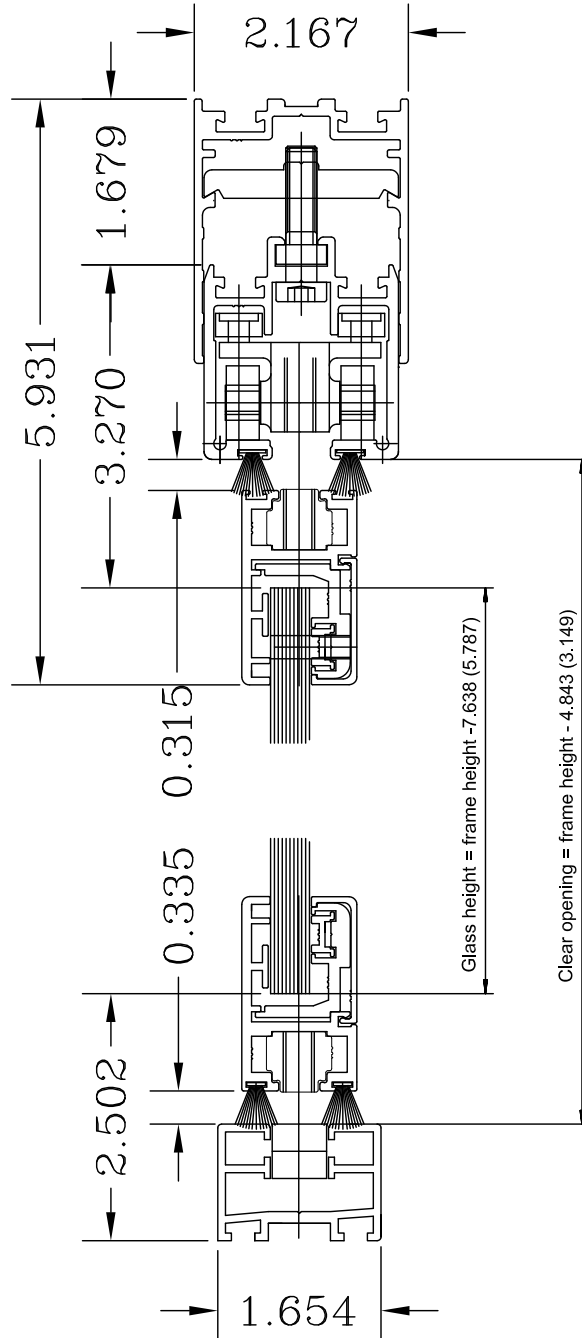
Vertical section

CO3

1503 W. San Pedro St., Gilbert, Arizona 85233
VOICE: 480-892-2600 / FAX : 480-892-0951

DATE:
1/24/11

R:\DRAWINGS\BROPAGES\W.M.DWG



SCALE: 1:2



SLIDE AND STACK

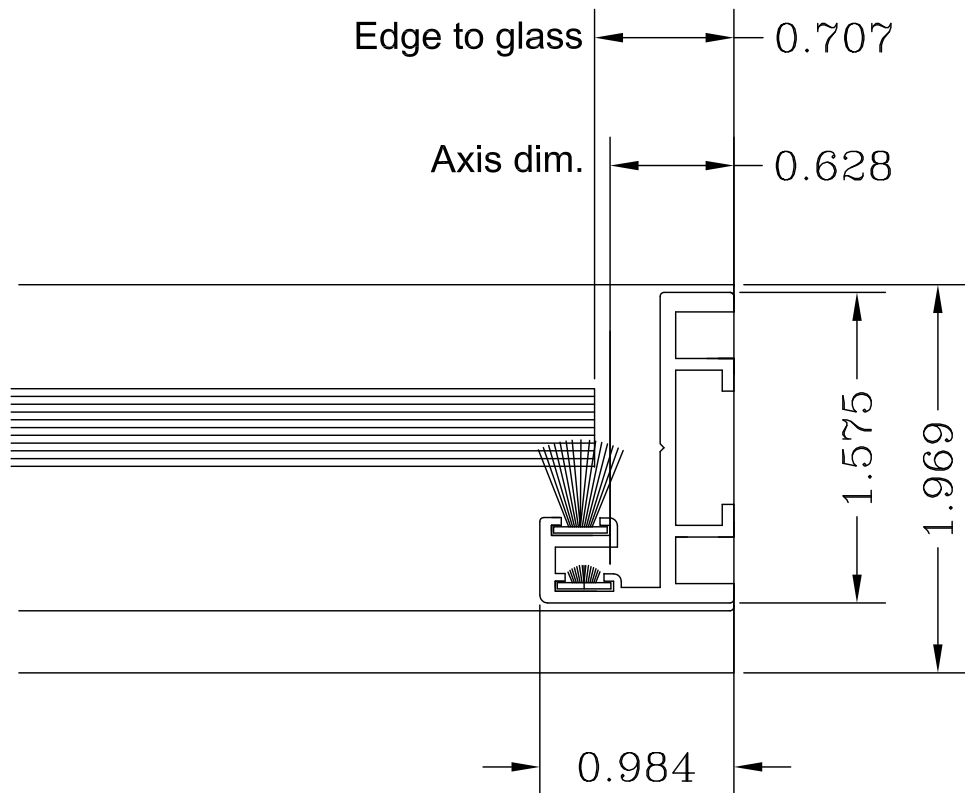
Wall jamb, closing side

CO4

1503 W. San Pedro St., Gilbert, Arizona 85233
VOICE: 480-892-2600 / FAX : 480-892-0951

DATE:
1/24/11

R:\DRAWINGS\BROFACES\W.M.DWG



SCALE: 1:1



SLIDE AND STACK

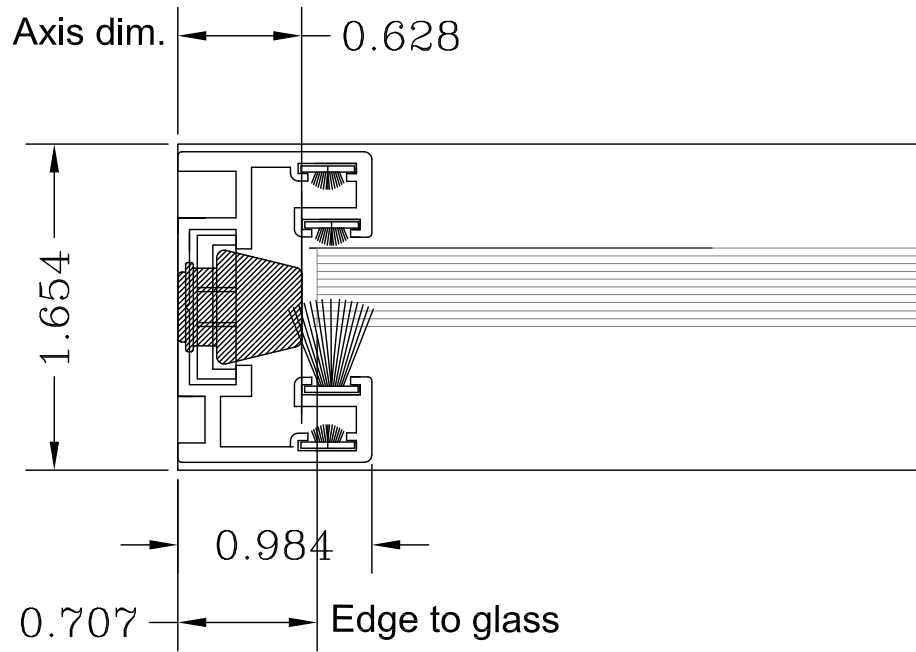
Wall jamb, sliding side

1503 W. San Pedro St., Gilbert, Arizona 85233
VOICE: 480-892-2600 / FAX : 480-892-0951

C05

DATE:
1/24/11

R:\DRAWINGS\BROFACES\M\LDWG



SCALE: 1:1

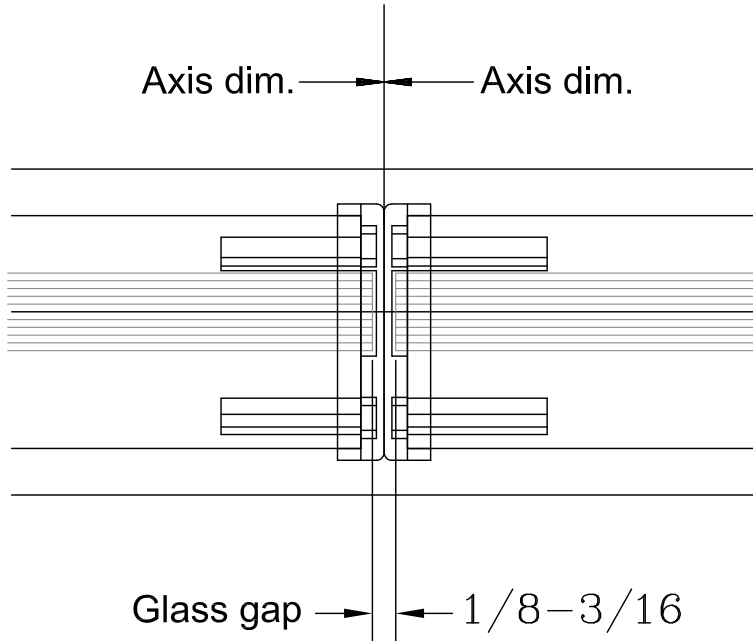


SLIDE AND STACK
CENTRAL CONNECTION

C06

1503 W. San Pedro St., Gilbert, Arizona 85233
VOICE: 480-892-2600 / FAX : 480-892-0951

DATE:
1/24/11
E:\DRAWINGS\BROPAGES\M\LDWG



SCALE: 1:1



SLIDE AND STACK

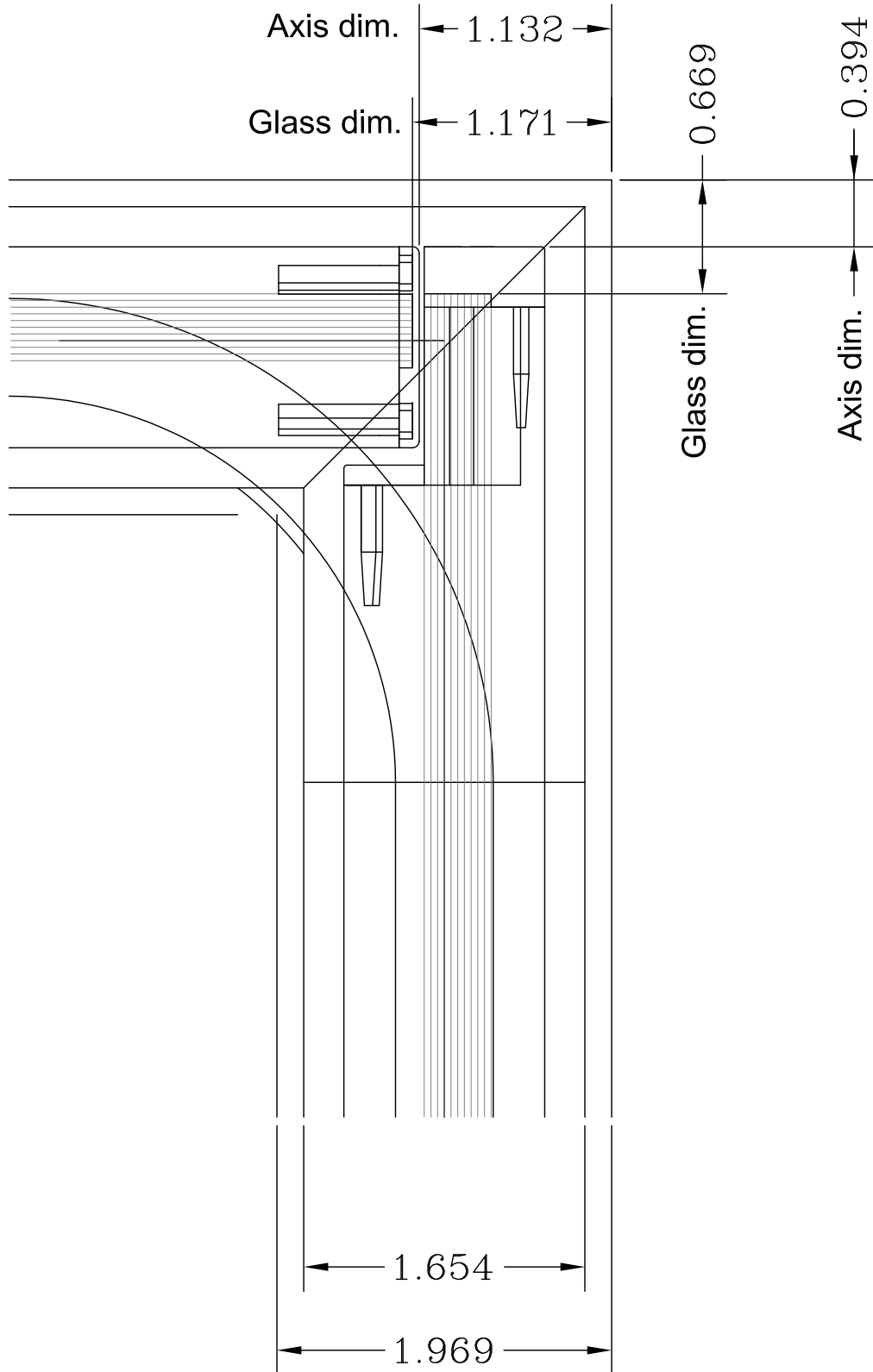
90° CORNER

1503 W. San Pedro St., Gilbert, Arizona 85233
VOICE: 480-892-2600 / FAX : 480-892-0951

CO7

DATE:
1/24/11

R:\DRAWINGS\BROPAGES\M.M.DWG



SCALE: 1:1



SLIDE AND STACK

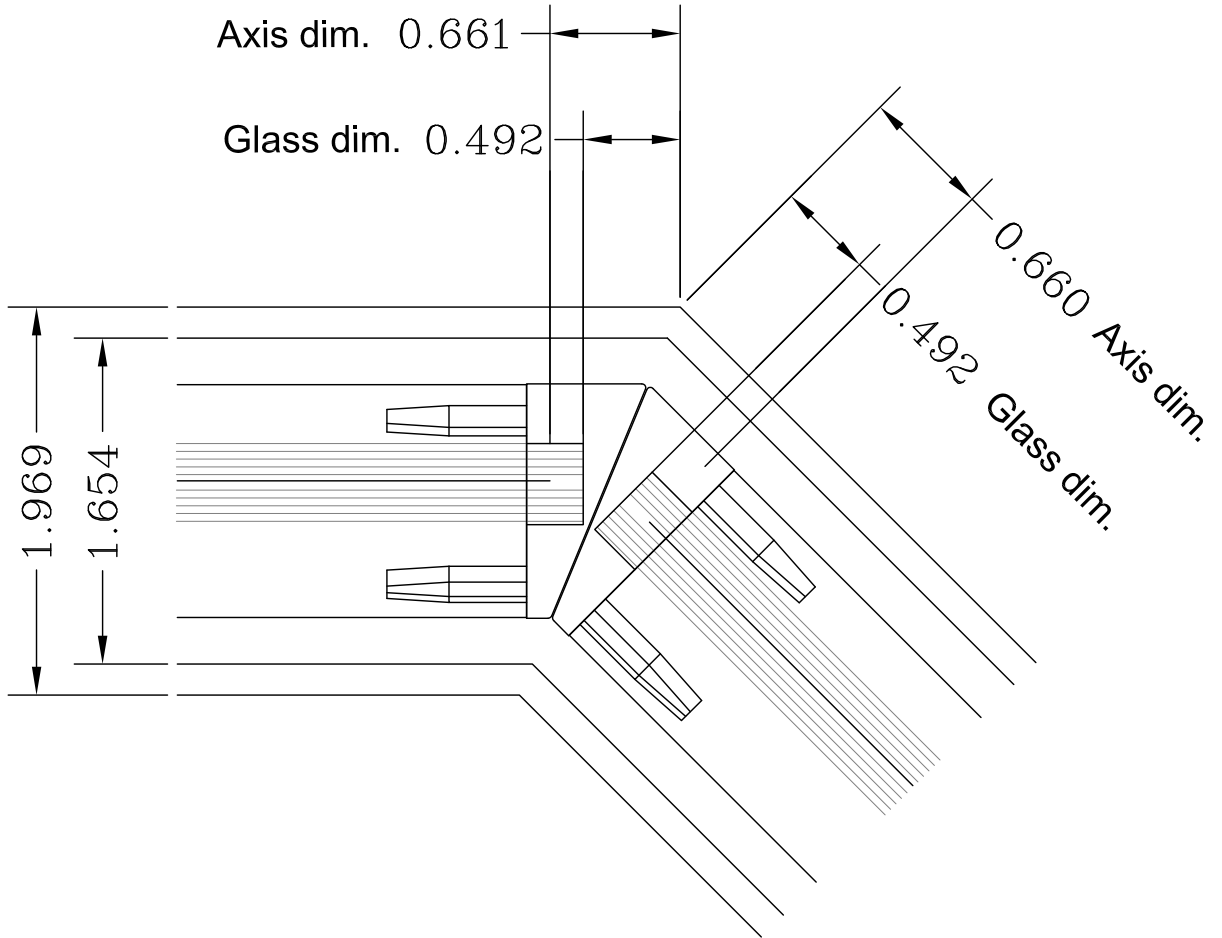
Corner 135°

C08

1503 W. San Pedro St., Gilbert, Arizona 85233
VOICE: 480-892-2600 / FAX : 480-892-0951

DATE:
1/24/11

E:\DRAWINGS\BROPAGES\M\LDWG



SCALE: 1:1