



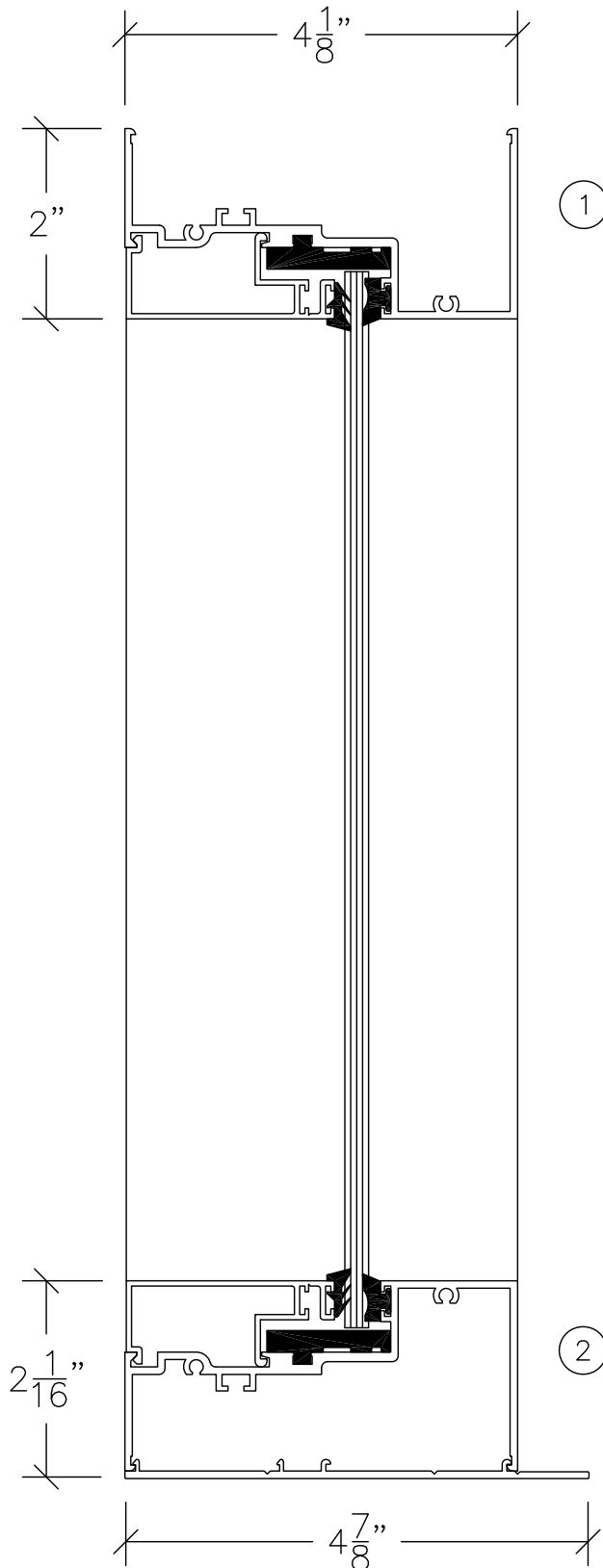
WINDOW SYSTEM
SERIES 400 - WINDOW WALL

1503 W. San Pedro St., Gilbert, Arizona 85233
VOICE: 480-892-2600 / FAX : 480-892-0951

A1

DATE:
2/5/13

R:\DRAWINGS\BROFAGES\A-B\A1.DWG



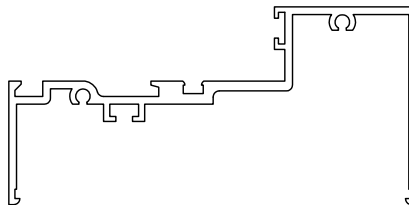
① PERIMETER FRAME



#454



#449

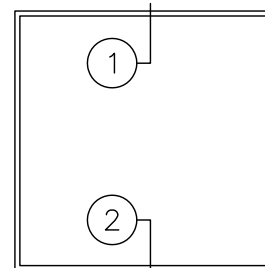


#452



#453

② PERIMETER FRAME
W/ SUB SILL



SUB SILL DETAIL - SINGLE GLAZED
SCALE: HALF SIZE



WINDOW SYSTEM

SERIES 400 - WINDOW WALL

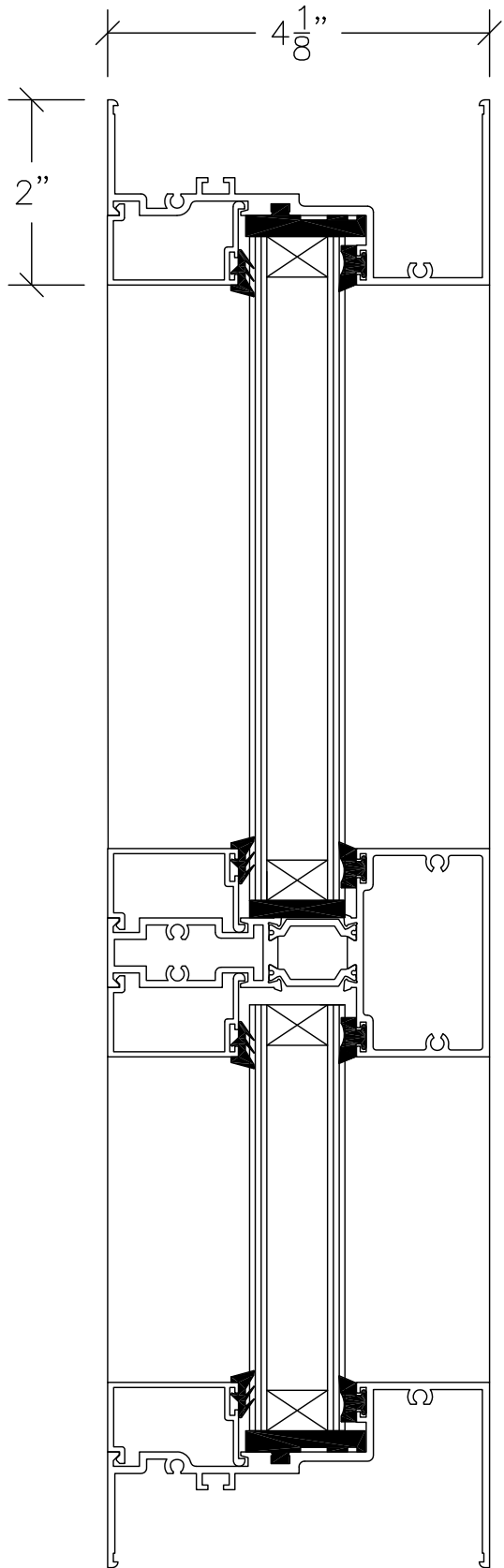
1503 W. San Pedro St., Gilbert, Arizona 85233

VOICE: 480-892-2600 / FAX : 480-892-0951

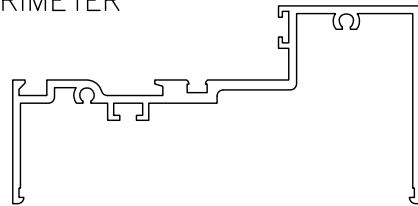
A2

DATE:
6/1/08

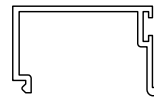
R:\DRAWINGS\BROGPAGES\A-B\A2.DWG



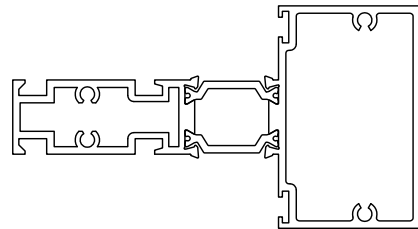
① TYPICAL PERIMETER FRAME



#452

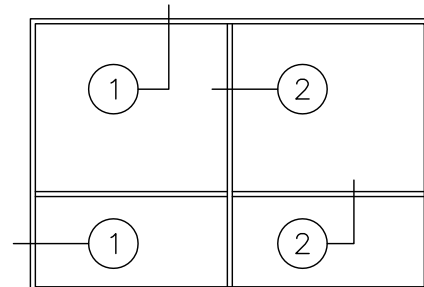


#411



#1447

② VERTICAL / HORIZONTAL TUBULAR STEPPED MULLION



4 1/8" PERIMETER FRAME & MULLION DETAIL - DOUBLE GLAZED
SCALE: HALF SIZE



WINDOW SYSTEM

SERIES 400 - WINDOW WALL

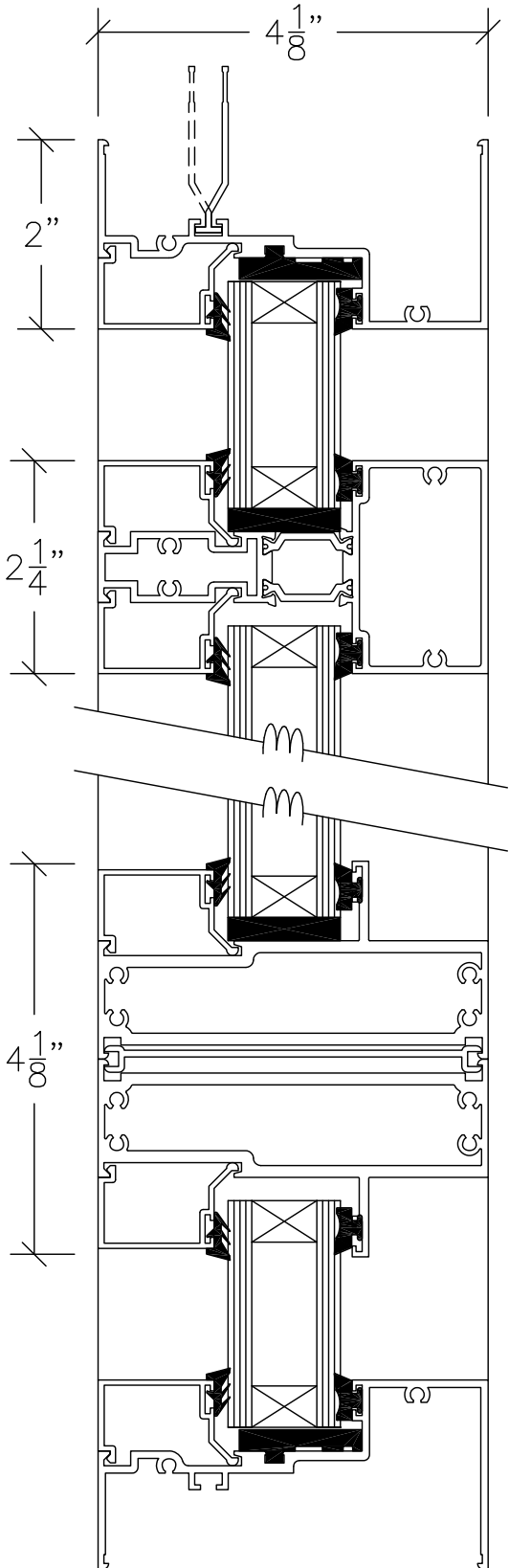
1503 W. San Pedro St., Gilbert, Arizona 85233

VOICE: 480-892-2600 / FAX : 480-892-0951

A3

DATE:
10/6/10

R:\DRAWINGS\BROGPAGES\A-B\A3.DWG



①

②

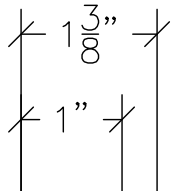
③

①

VERTICAL / HORIZONTAL TUBULAR STEPPED MULLION

HEAVY DUTY MULLION

TYPICAL PERIMETER FRAME



NW CONFIGURATION
*NU-WALL

NO CONFIGURATION
*NAIL-ON

#404

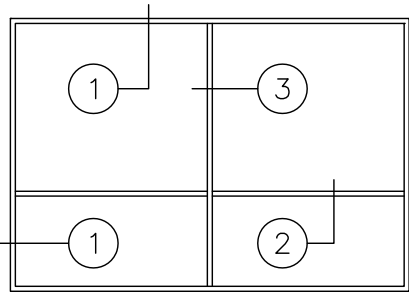
#452

#410

#1447

#407

#446



4 1/8" PERIMETER FRAME & MULLION DETAIL - DOUBLE GLAZED 6mm GLASS W/ OFFSET STOPS FOR LARGE OPENINGS

SCALE: HALF SIZE



WINDOW SYSTEM

SERIES 400 - WINDOW WALL

1503 W. San Pedro St., Gilbert, Arizona 85233

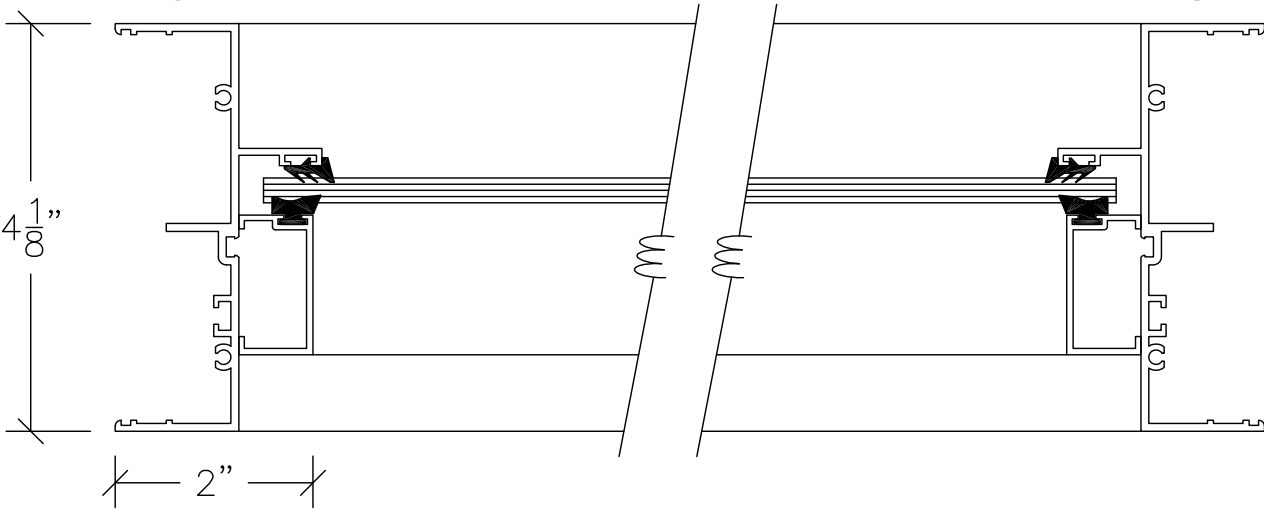
VOICE: 480-892-2600 / FAX : 480-892-0951

A4

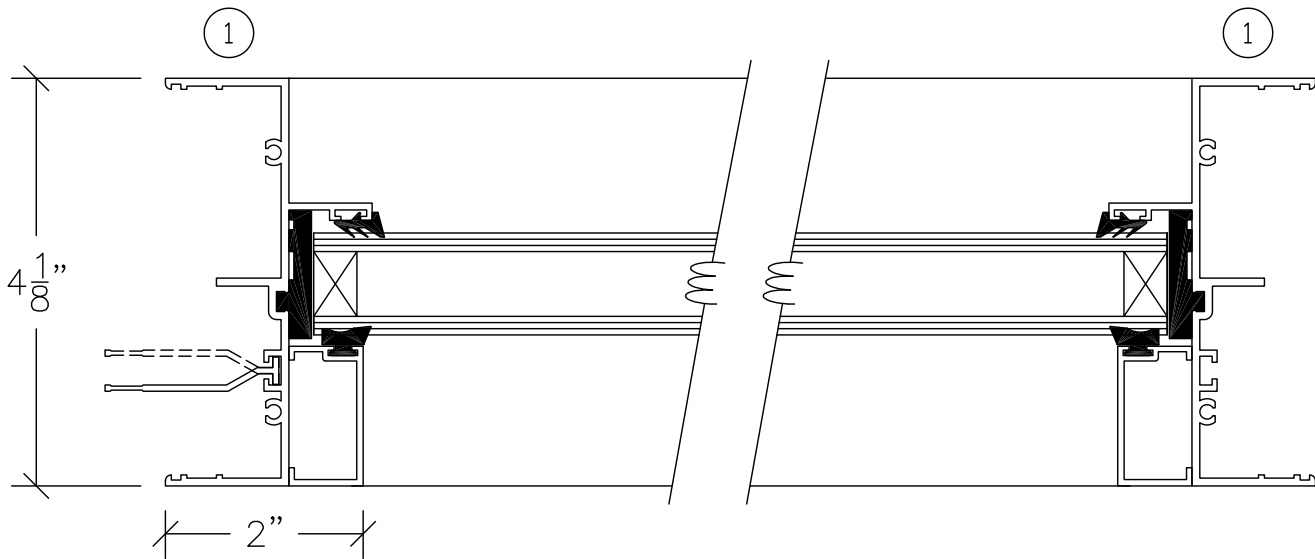
DATE:
6/1/08

R:\DRAWINGS\BROGPAGES\A-B\A4.DWG

① TYPICAL PERIMETER FRAME

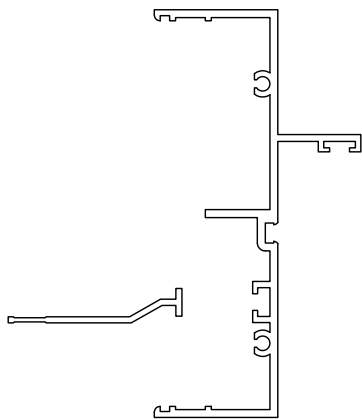


①

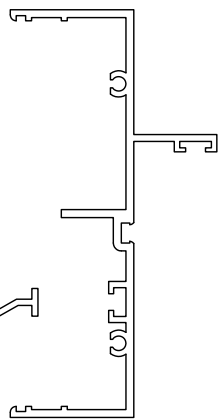


①

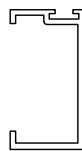
①



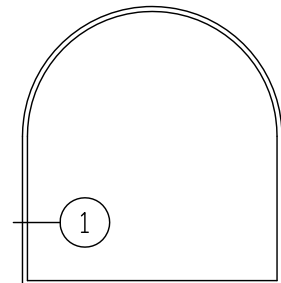
#404



#451



#413



①

4 1/8" HORIZONTAL BENT PERIMETER FRAME DETAIL
SINGLE & DOUBLE GLAZED

SCALE: HALF SIZE



WINDOW SYSTEM

SERIES 400 - WINDOW WALL

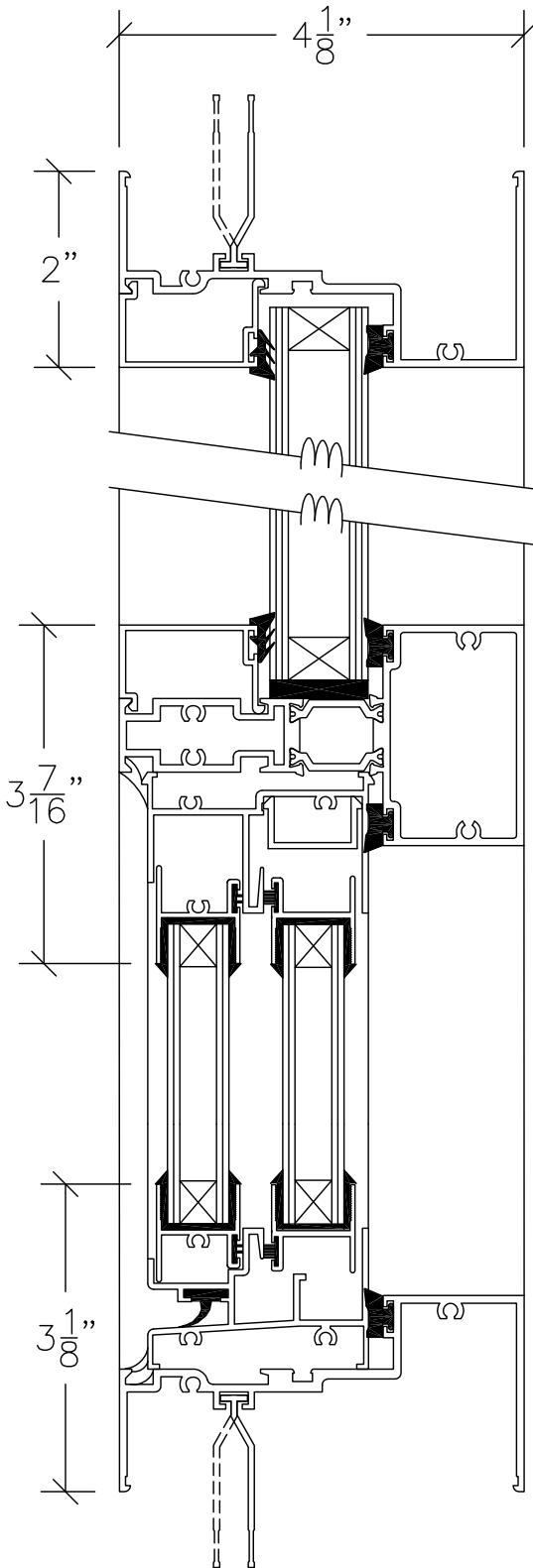
1503 W. San Pedro St., Gilbert, Arizona 85233

VOICE: 480-892-2600 / FAX : 480-892-0951

A5

DATE:
6/1/08

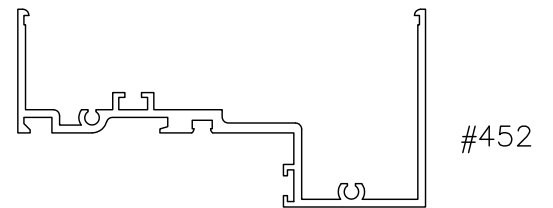
R:\DRAWINGS\BROGPAGES\A-B\A5.DWG



① PERIMETER FRAME
HEAD/JAMB

② HORIZONTAL MUNTIN

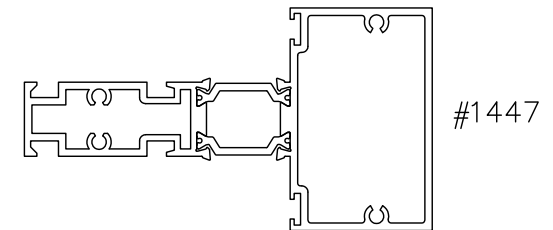
③ PERIMETER FRAME
SILL



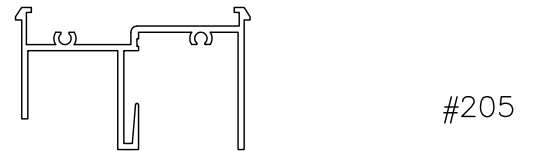
#452



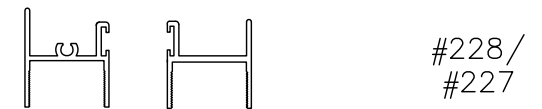
#411



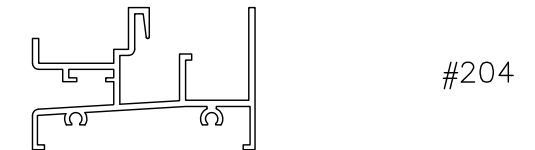
#1447



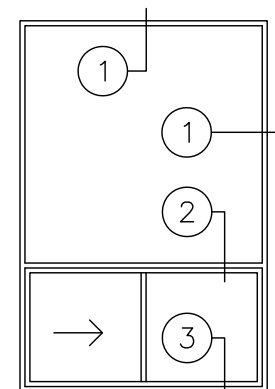
#205



#228/
#227



#204



4 1/8" PERIMETER FRAME & MUNTIN DETAIL
W/ HORIZONTAL SLIDER INSERT - DOUBLE GLAZED

SCALE: HALF SIZE



WINDOW SYSTEM

SERIES 400 - WINDOW WALL

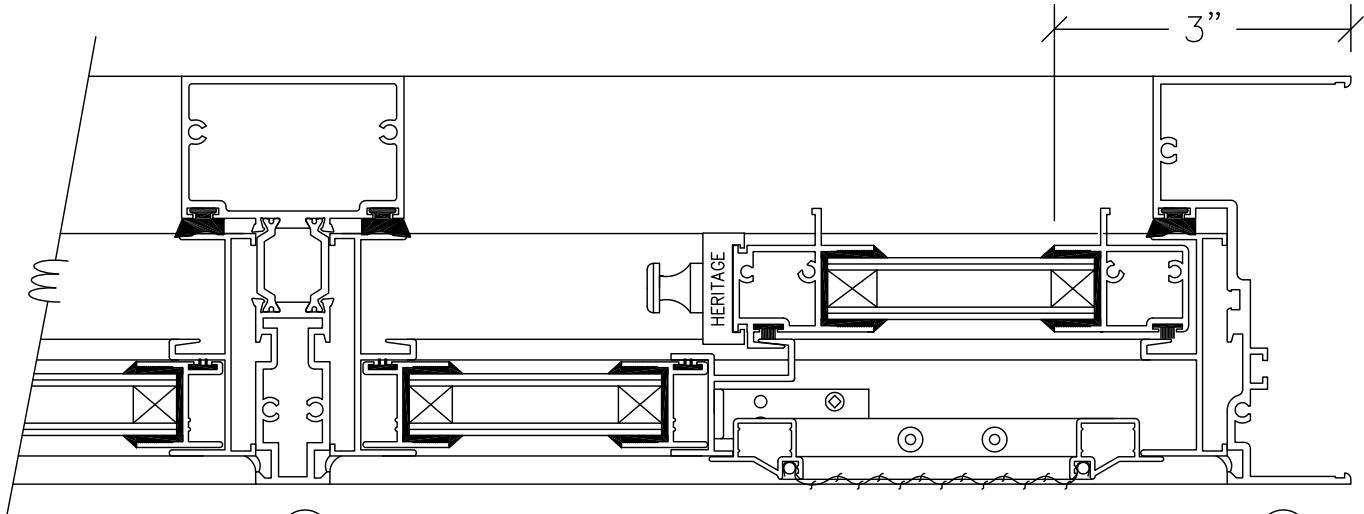
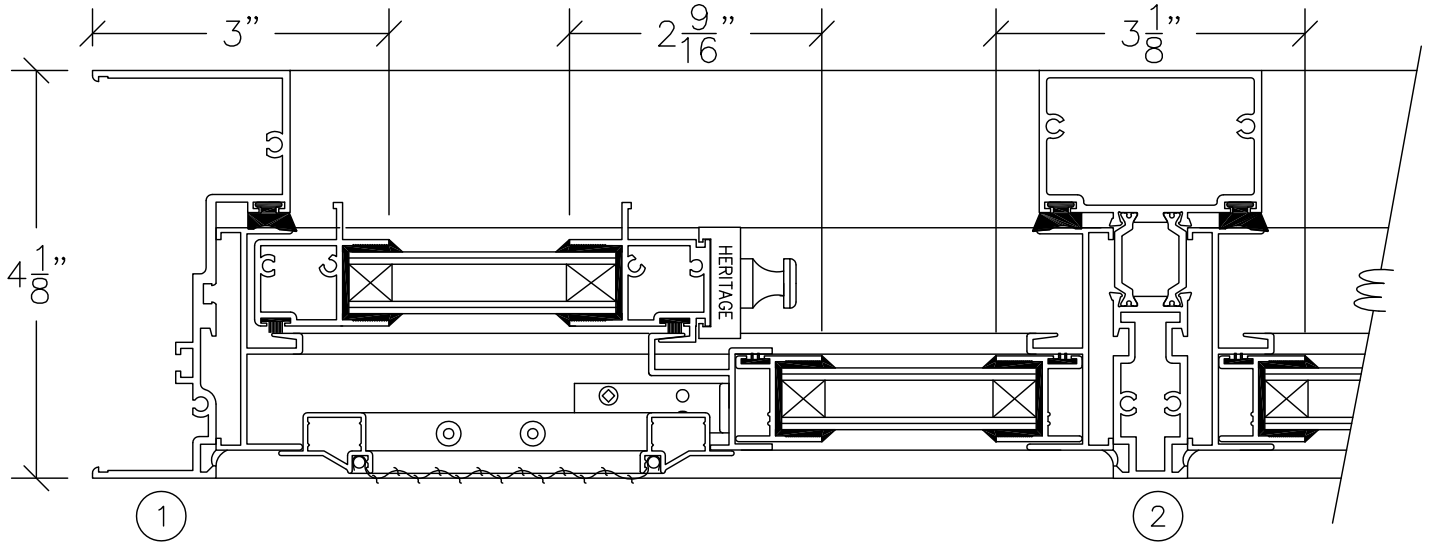
1503 W. San Pedro St., Gilbert, Arizona 85233

VOICE: 480-892-2600 / FAX : 480-892-0951

A6

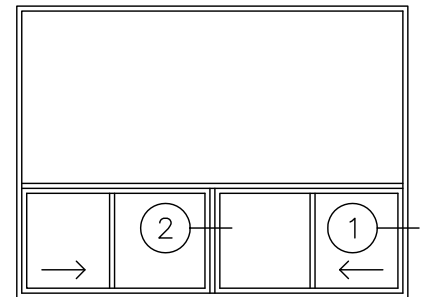
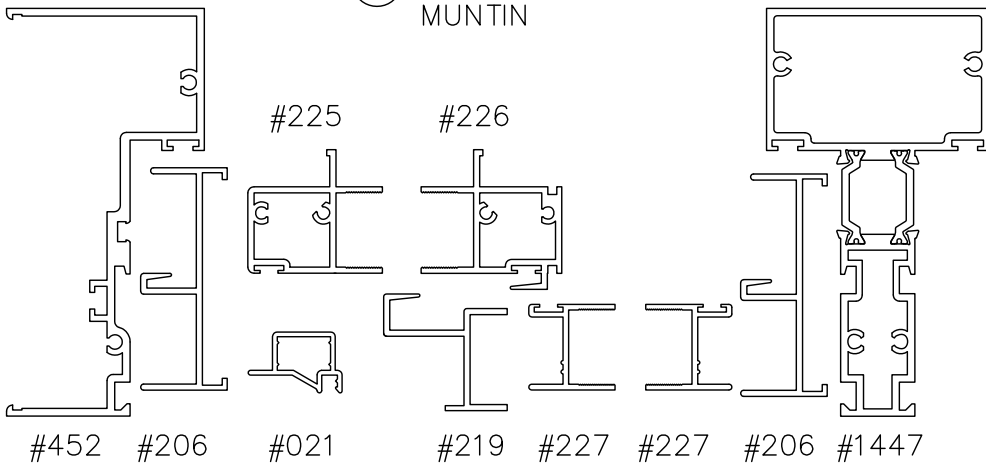
DATE:
7/24/13

R:\DRAWINGS\BROGPAGES\A-B\A6.DWG



② VERTICAL MUNTIN

PERIMETER FRAME JAMB ①



HORIZONTAL SECTION THROUGH 4 1/8" PERIMETER FRAME & STRUCTURAL MUNTIN W/ HORIZONTAL SLIDER INSERT

DOUBLE GLAZED

SCALE: HALF SIZE



WINDOW SYSTEM

SERIES 400 - WINDOW WALL

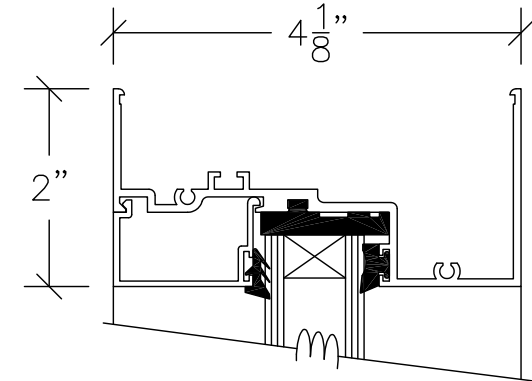
1503 W. San Pedro St., Gilbert, Arizona 85233

VOICE: 480-892-2600 / FAX : 480-892-0951

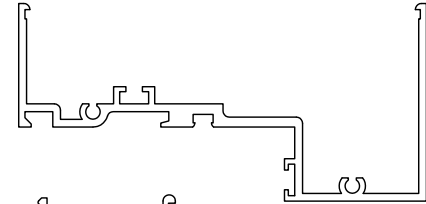
A7

DATE:
7/24/13

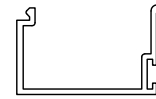
R:\DRAWINGS\BROGPAGES\A-B\A7.DWG



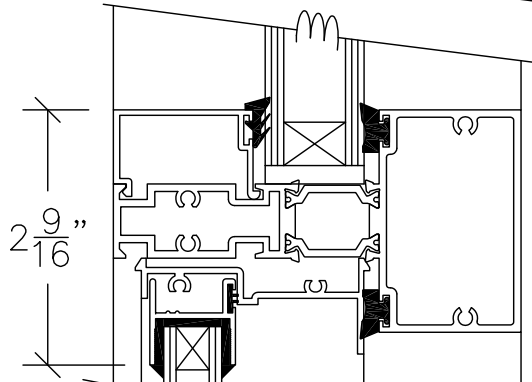
① PERIMETER FRAME
HEAD/JAMB



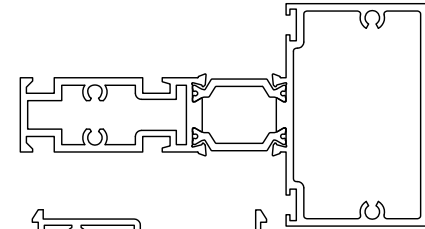
#452



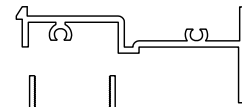
#411



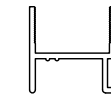
② HORIZONTAL MUNTIN



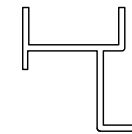
#1447



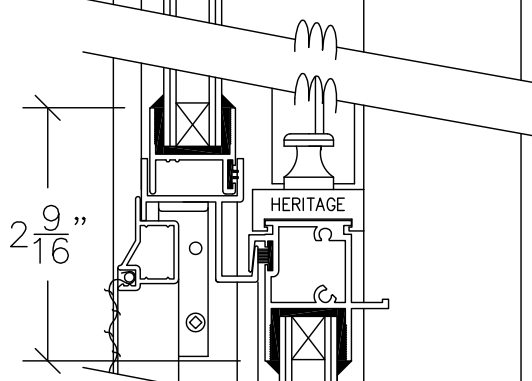
#214



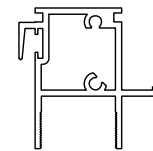
#227



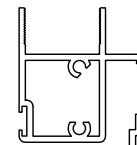
#219



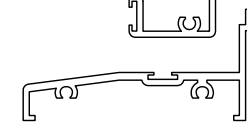
③ PERIMETER FRAME
SILL



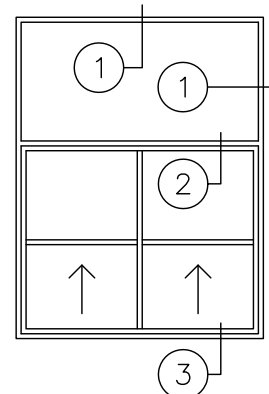
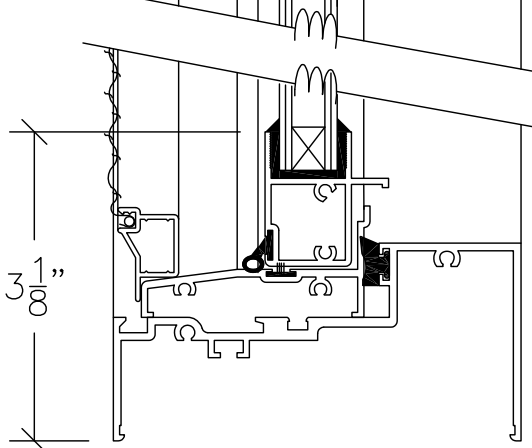
#226



#225



#213



4 1/8" PERIMETER FRAME & MUNTIN DETAIL
W/ SINGLE HUNG INSERT - DOUBLE GLAZED

SCALE: HALF SIZE



WINDOW SYSTEM

SERIES 400 - WINDOW WALL

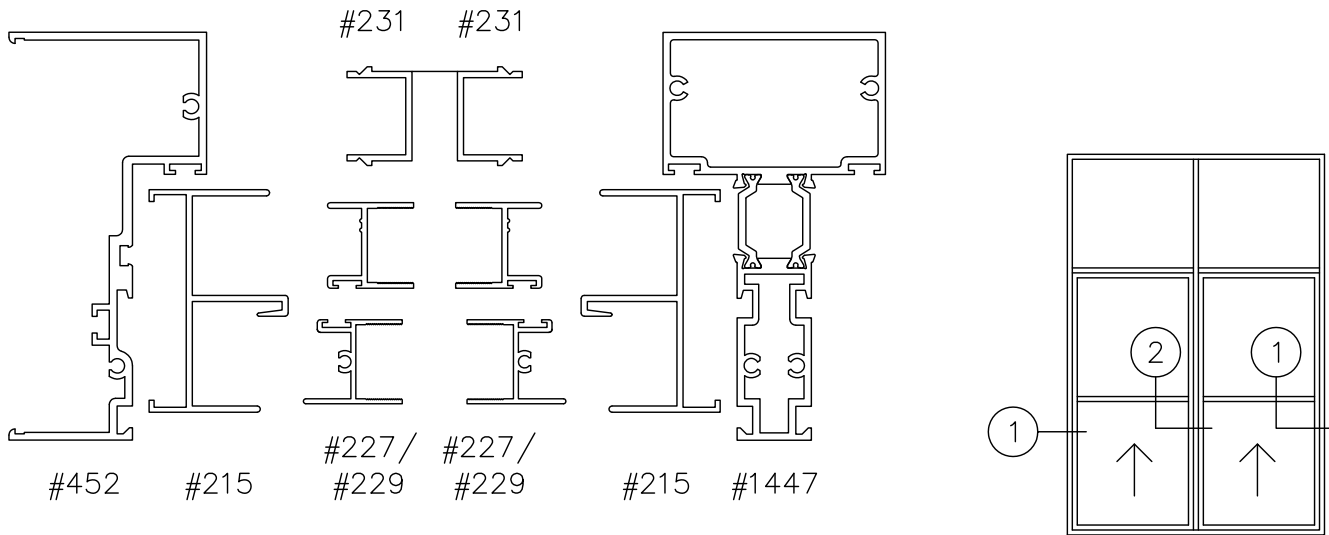
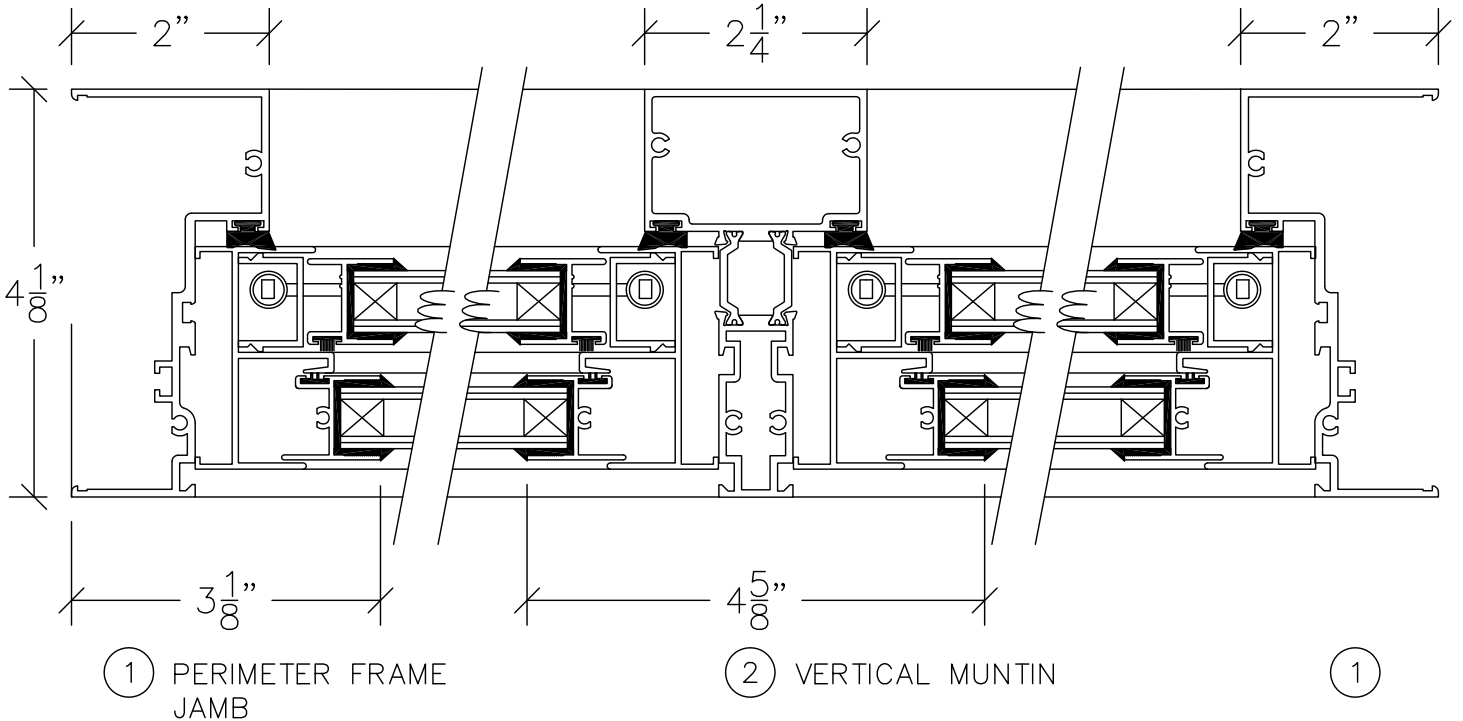
1503 W. San Pedro St., Gilbert, Arizona 85233

VOICE: 480-892-2600 / FAX : 480-892-0951

A8

DATE:
6/1/08

R:\DRAWINGS\BROGPAGES\A-B\A8.DWG



HORIZONTAL SECTION THROUGH 4 1/8" PERIMETER FRAME &
 STRUCTURAL MUNTIN W/ SINGLE HUNG INSERT
 DOUBLE GLAZED
 SCALE: HALF SIZE



WINDOW SYSTEM

SERIES 400 - WINDOW WALL

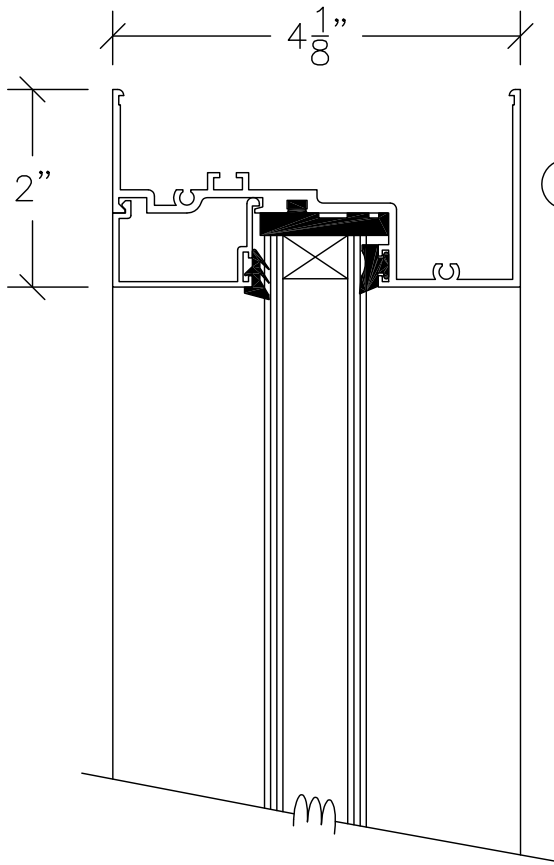
1503 W. San Pedro St., Gilbert, Arizona 85233

VOICE: 480-892-2600 / FAX : 480-892-0951

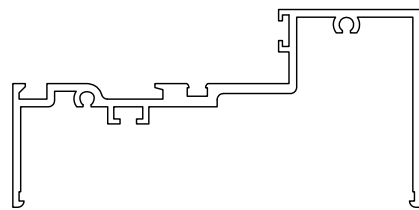
A9

DATE:
6/1/08

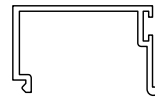
R:\DRAWINGS\BROGPAGES\A-B\A9.DWG



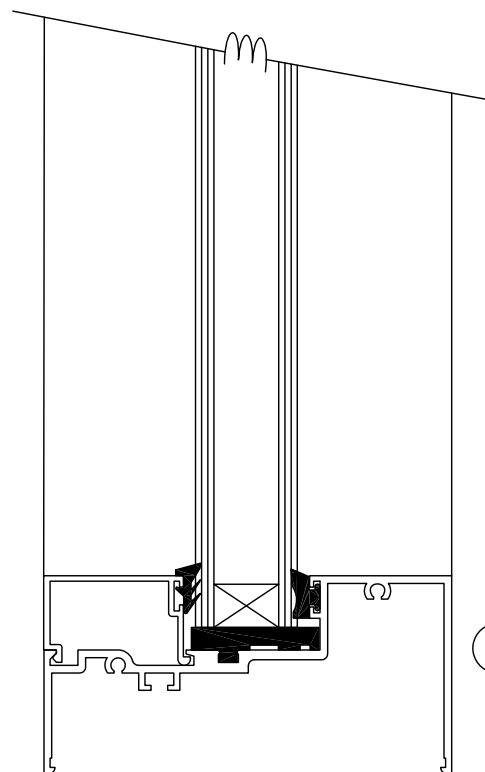
① TYPICAL PERIMETER FRAME



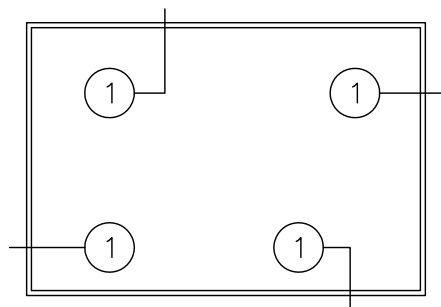
#452



#411



①



4 1/8" PERIMETER FRAME - DOUBLE GLAZED

SCALE: HALF SIZE



WINDOW SYSTEM

SERIES 400 - WINDOW WALL

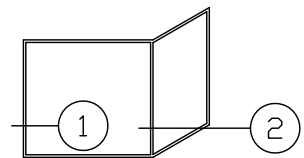
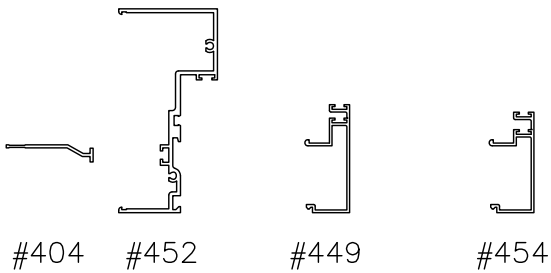
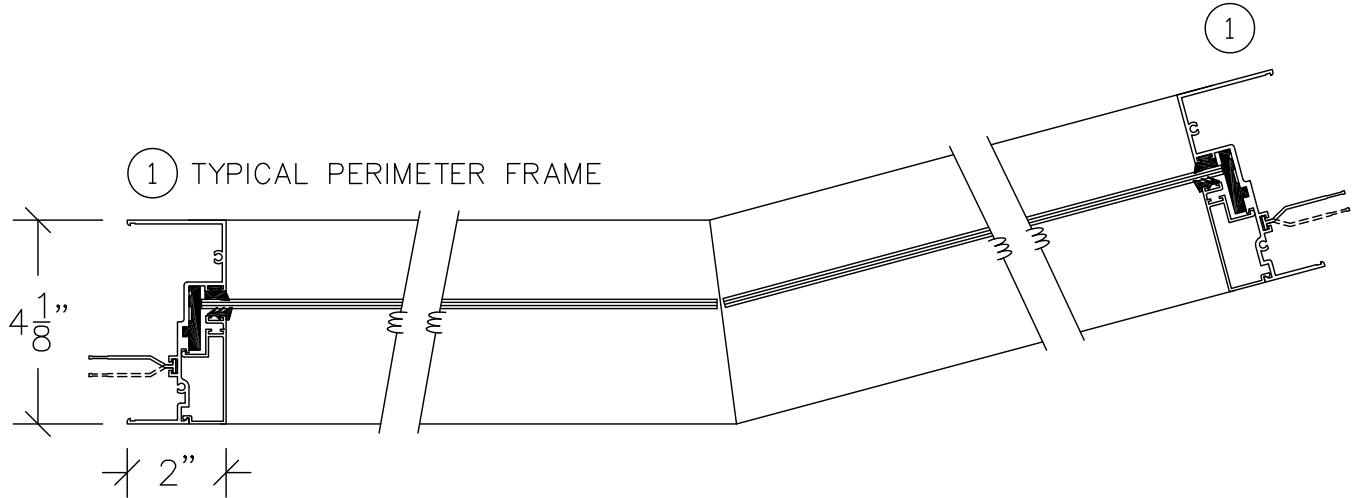
1503 W. San Pedro St., Gilbert, Arizona 85233

VOICE: 480-892-2600 / FAX : 480-892-0951

A10

DATE:
6/1/08

R:\DRAWINGS\BROGPAGES\A-B\A10.DWG



4 1/8" HORIZONTAL BOW PERIMETER FRAME DETAIL
DOUBLE GLAZED
SCALE: QUARTER SIZE



WINDOW SYSTEM—INSTALLATION OPTIONS

SERIES 400 - WINDOW WALL

1503 W. San Pedro St., Gilbert, Arizona 85233

VOICE: 480-892-2600 / FAX : 480-892-0951

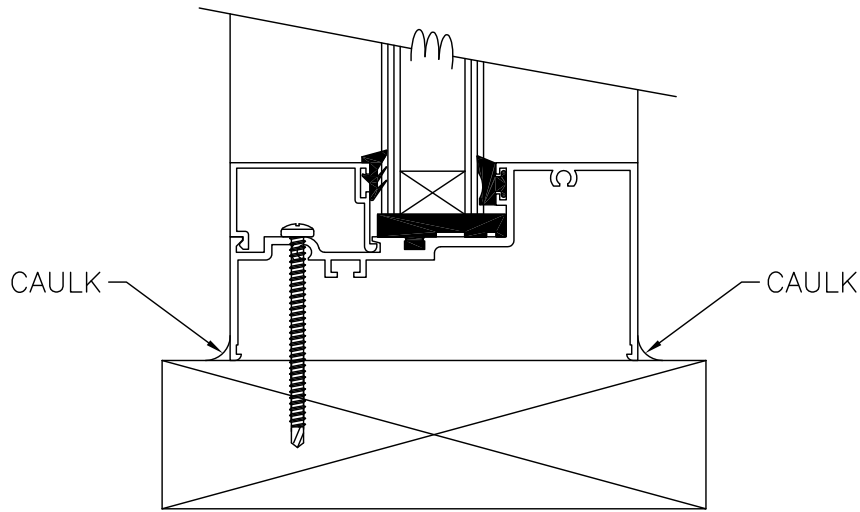
A11

DATE:
2/5/13

R:\DRAWINGS\BROGPAGES\A-B\A11.DWG

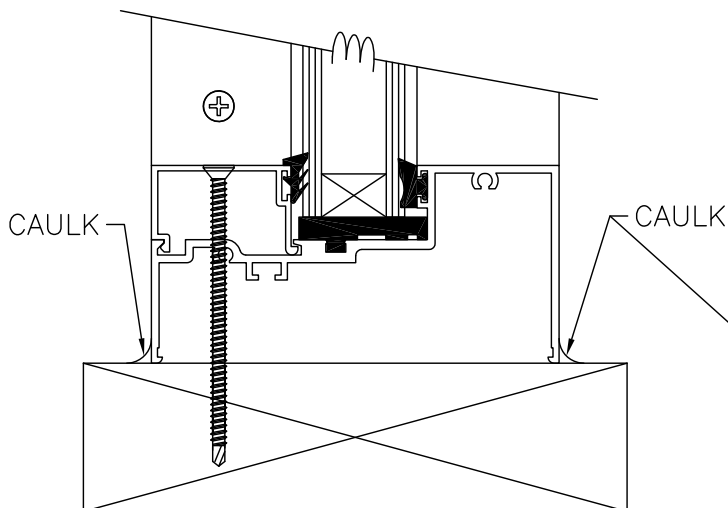
OPTION #1

YOU CAN INSTALL IT BY REMOVING THE JAMB STOPS AND RUNNING SCREWS:
SCREWS WILL NOT SHOW



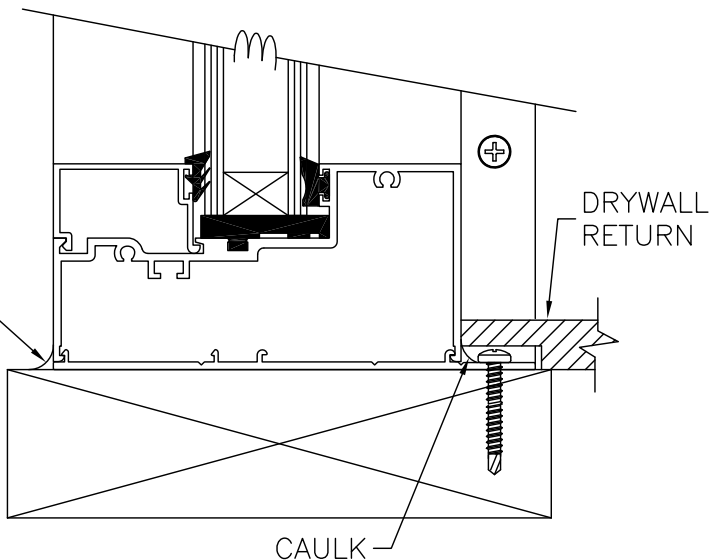
OPTION #2

YOU CAN INSTALL IT BY RUNNING SCREWS
OVER THE STOPS: SCREWS WILL SHOW



OPTION #3

WE CAN PROVIDE TABS THAT ARE ATTACHED
TO THE JAMBS. YOU DRIVE SCREWS THROUGH
THEM. THEN THE DRYWALL RETURNS WILL
HAVE TO BE NOTCHED.





WINDOW SYSTEM—INSTALLATION OPTIONS

SERIES 400 - WINDOW WALL

1503 W. San Pedro St., Gilbert, Arizona 85233

VOICE: 480-892-2600 / FAX : 480-892-0951

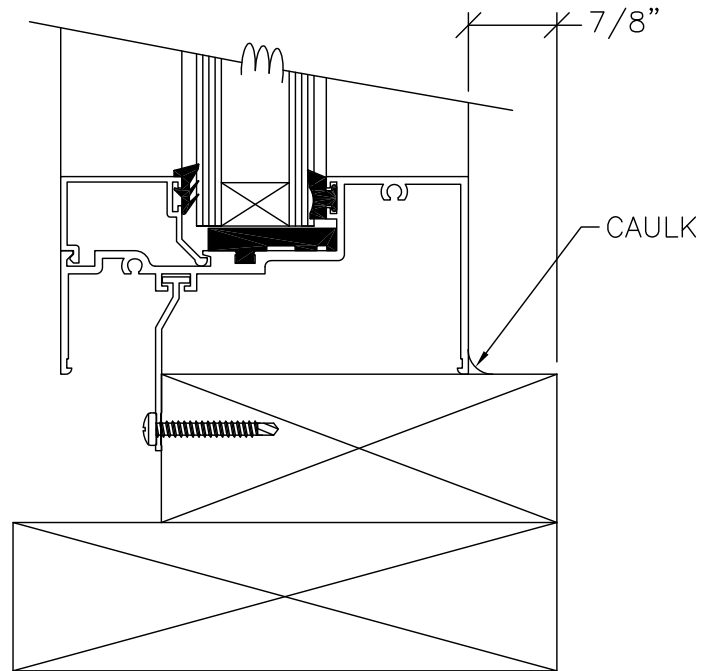
A12

DATE:
6/1/08

R:\DRAWINGS\BROCHURES\A-B\A12.DWG

OPTION #4

WHEN THE OPENING IS 2 X 6 FRAMING, BUCK THE OPENING WITH 2 X 4



OPTION #5

WHEN THE OPENING IS MASONRY, BUCK THE OPENING WITH 2 X 4

