



WINDOW SYSTEM

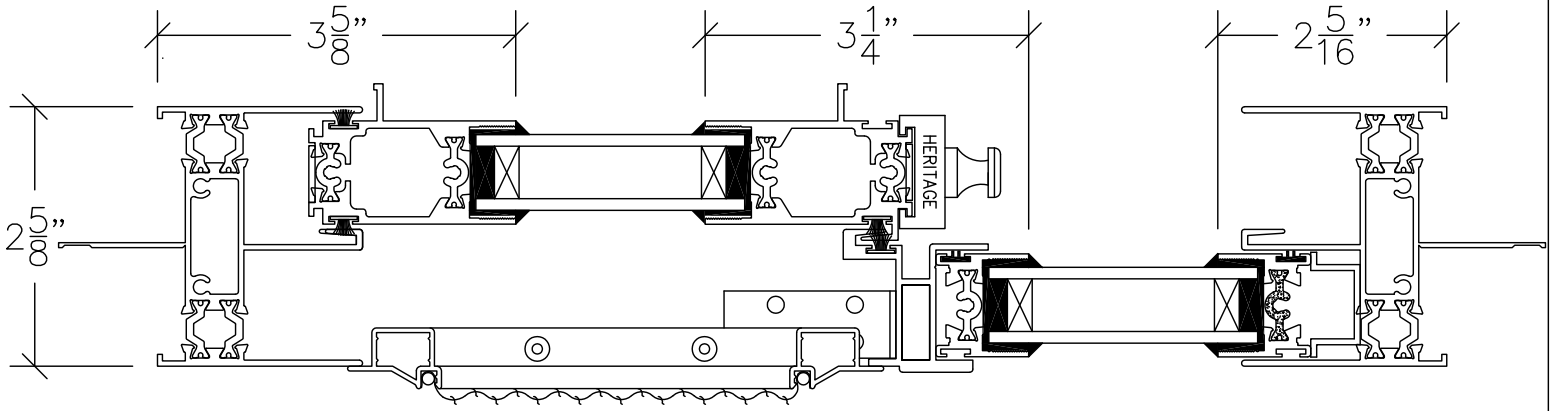
SERIES 1200 - THERMAL BREAK SLIDING WINDOW

1503 W. San Pedro St., Gilbert, Arizona 85233
VOICE: 480-892-2600/FAX : 480-892-0951/WWW.HERITAGEWINDOWS.COM

GG4

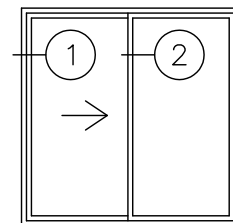
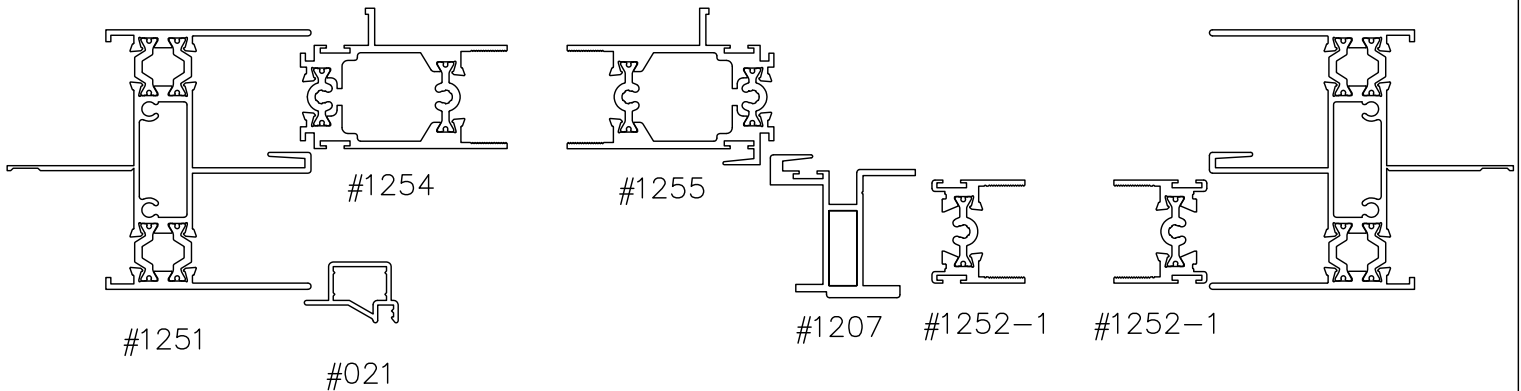
DATE:
9/16/11

R:\DRAWINGS\BROPPAGES\GG\GG4.DWG



① HORIZONTAL SLIDER JAMB

② MEETING STILE



HORIZONTAL SECTION THROUGH HORIZONTAL SLIDER
DOUBLE GLAZED

SCALE: HALF SIZE