



# WINDOW SYSTEM

SERIES 1500 - THERMAL BREAK CASEMENT

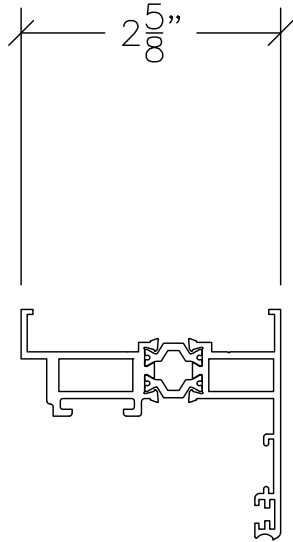
1503 W. San Pedro St., Gilbert, Arizona 85233  
VOICE: 480-892-2600/FAX : 480-892-0951/WWW.HERITAGEWINDOWS.COM

# KK1

DATE:  
6/9/03

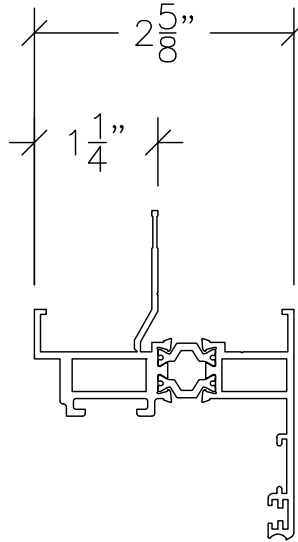
R:\DRAWINGS\BROPAGES\KK\KK1.DWG

MASONRY  
CONFIGURATION



#1551  
HEAD/SILL/JAMB

NU-WALL  
CONFIGURATION



#1551  
HEAD/SILL/JAMB

MASONRY USED  
IN BLOCK CONSTRUCTION  
AND FOR MULL / STACK  
APPLICATIONS

1 1/4" FIN SET BACK  
FOR 1" FOAM &  
3/8" STUCCO

HERITAGE THERMAL BREAK CASEMENT WINDOWS CAN BE MARRIED TO ALL THERMAL BREAK PRODUCTS IN THE HERITAGE LINE FOR A VERY WIDE VARIETY OF MULL / STACK OPTIONS. THEY CAN BE INSERTED INTO THERMAL BREAK WINDOW WALL (SERIES 1400) PRODUCTS. HERITAGE CASEMENT WINDOWS USE SPECIAL EXPOSED HINGES AND SCREEN ATTACHMENT HARDWARE. A SCREW APPLIED STOP ALLOWS THE USE OF DOUBLE GLAZED UP TO 1 1/16" OVER ALL.

THERMAL BREAK  
CASEMENT WINDOW PERIMETER FRAME EXTRUSIONS  
SCALE: HALF SIZE



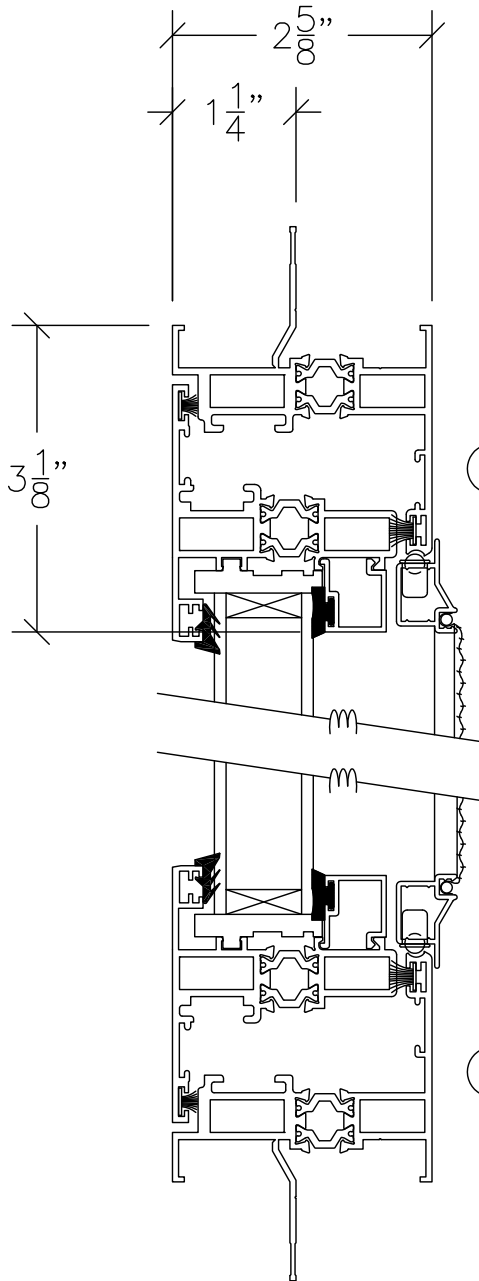
WINDOW SYSTEM  
SERIES 1500 - CASEMENT

1503 W. San Pedro St., Gilbert, Arizona 85233  
VOICE: 480-892-2600/FAX : 480-892-0951/WWW.HERITAGEWINDOWS.COM

KK2

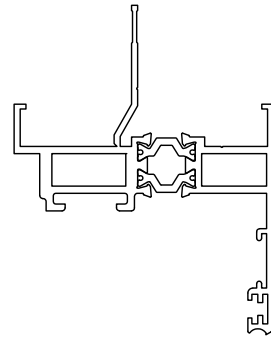
DATE:  
5/6/11

R:\DRAWINGS\BROGPAGES\KK\KK2.DWG

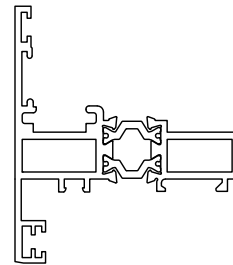


① TYPICAL PERIMETER  
FRAME & LEAF

① TYPICAL PERIMETER  
FRAME & LEAF



#1551



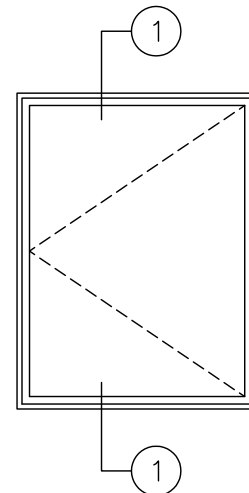
#1562



#021



#426



VERTICAL SECTION THROUGH THERMAL BREAK  
CASEMENT WINDOW DOUBLE GLAZED  
SCALE: HALF SIZE



# WINDOW SYSTEM

SERIES 1500 - CASEMENT

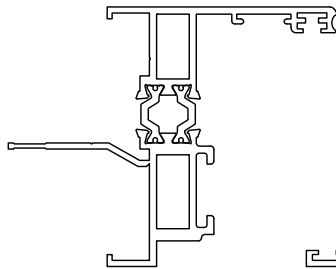
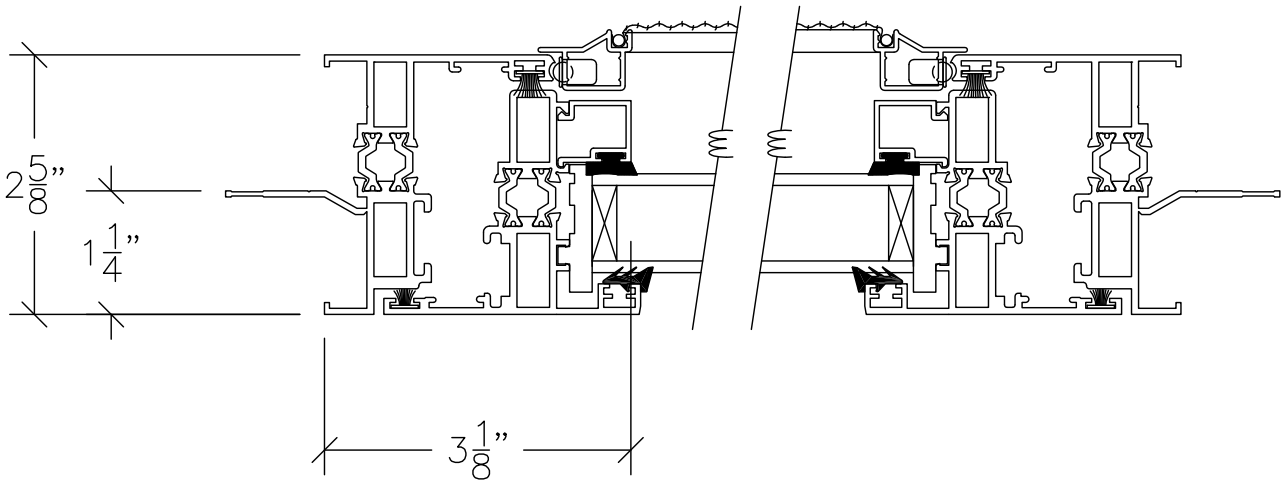
1503 W. San Pedro St., Gilbert, Arizona 85233  
VOICE: 480-892-2600/FAX : 480-892-0951/WWW.HERITAGEWINDOWS.COM

# KK3

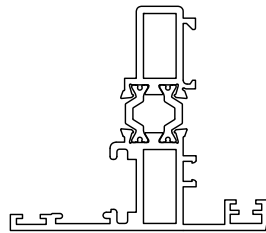
DATE:  
5/6/11

R:\DRAWINGS\BROGPAGES\KK\KK3.DWG

① TYPICAL PERIMETER  
FRAME & LEAF



#1551



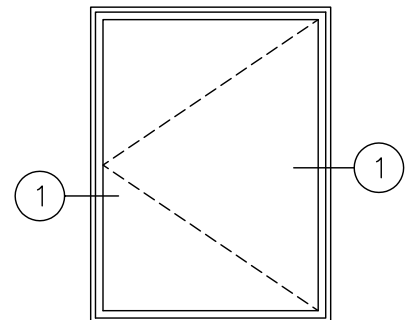
#1562



#021



#426



HORIZONTAL SECTION THROUGH THERMAL BREAK  
CASEMENT WINDOW DOUBLE GLAZED

SCALE: HALF SIZE



# WINDOW SYSTEM

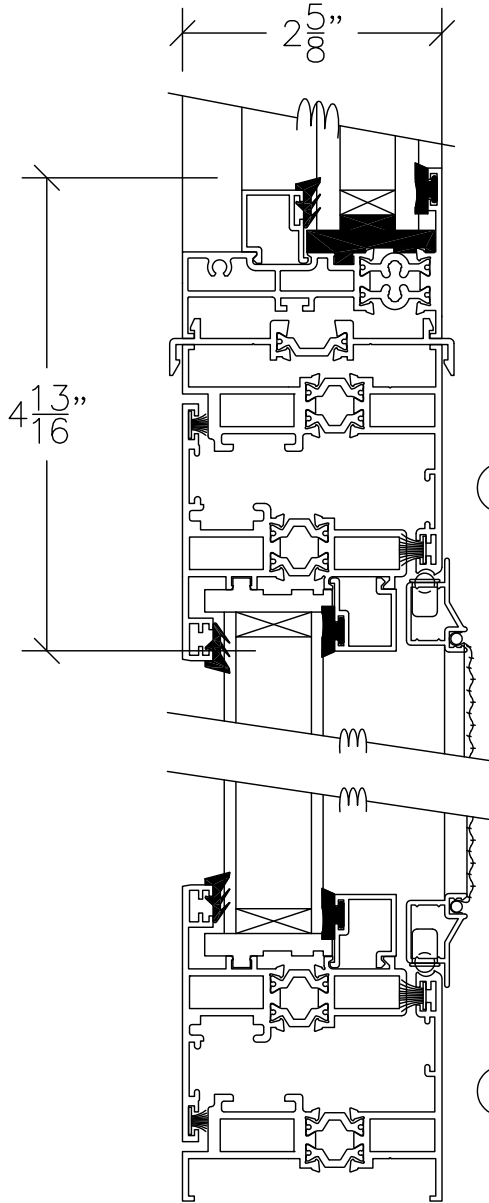
SERIES 1500 - CASEMENT

# KK4

1503 W. San Pedro St., Gilbert, Arizona 85233  
VOICE: 480-892-2600/FAX : 480-892-0951/WWW.HERITAGEWINDOWS.COM

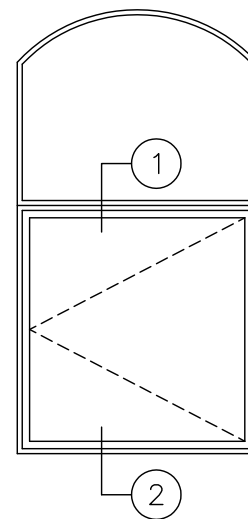
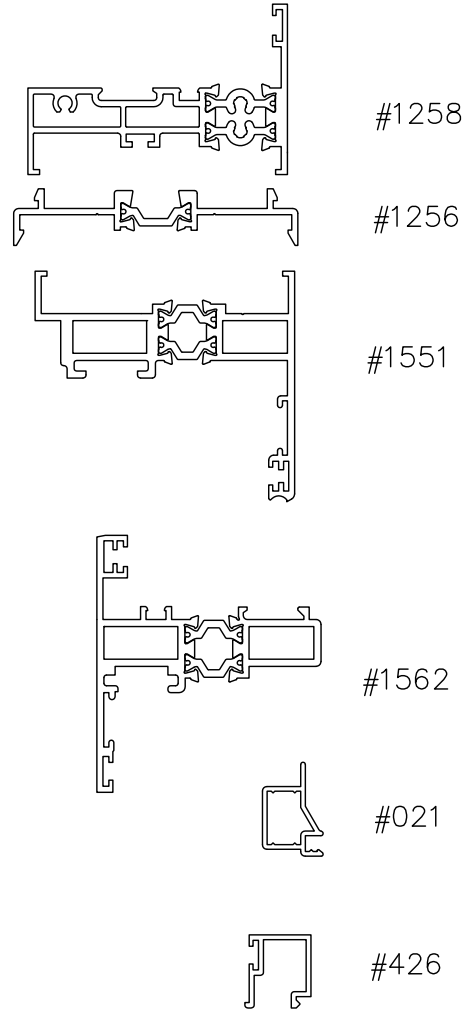
DATE:  
5/6/11

R:\DRAWINGS\BROPAGES\KK\KK4.DWG



① ROUND TOP SILL & CASEMENT PERIMETER FRAME HEAD

② TYPICAL PERIMETER FRAME & LEAF



VERTICAL SECTION THROUGH THERMAL BREAK CASEMENT/  
ROUND TOP STACK WINDOW DOUBLE GLAZED  
SCALE: HALF SIZE



WINDOW SYSTEM  
SERIES 1500 - CASEMENT

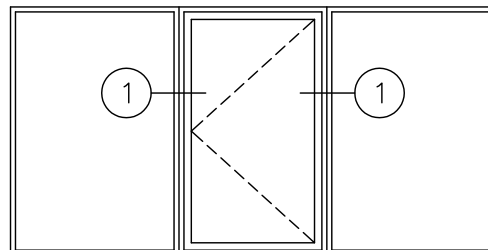
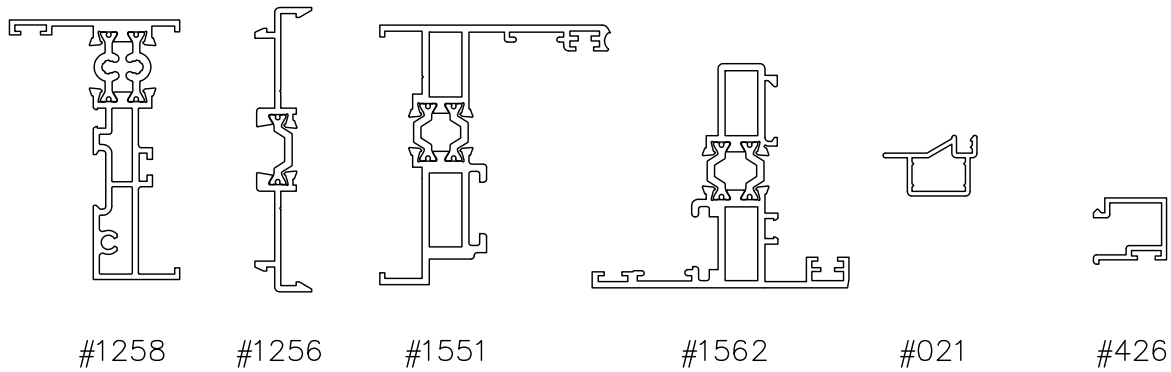
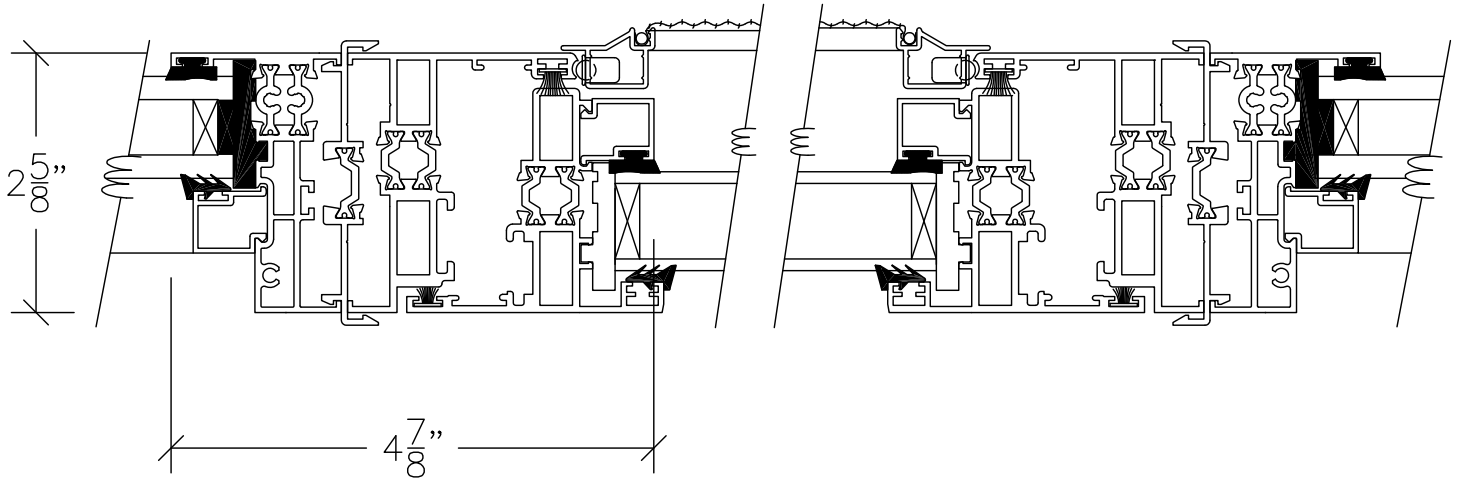
1503 W. San Pedro St., Gilbert, Arizona 85233  
VOICE: 480-892-2600/FAX : 480-892-0951/WWW.HERITAGEWINDOWS.COM

KK5

DATE:  
5/6/11

R:\DRAWINGS\BROPAGES\KK\KK5.DWG

① FIXED FRAME JAMB &  
CASEMENT PERIMETER  
FRAME JAMB



HORIZONTAL SECTION THROUGH THERMAL BREAK CASEMENT/  
FIXED FRAME MULL WINDOW DOUBLE GLAZED  
SCALE: HALF SIZE



# WINDOW SYSTEM

SERIES 1500 - THERMAL BREAK CASEMENT

1503 W. San Pedro St., Gilbert, Arizona 85233  
VOICE: 480-892-2600/FAX : 480-892-0951/WWW.HERITAGEWINDOWS.COM

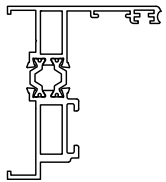
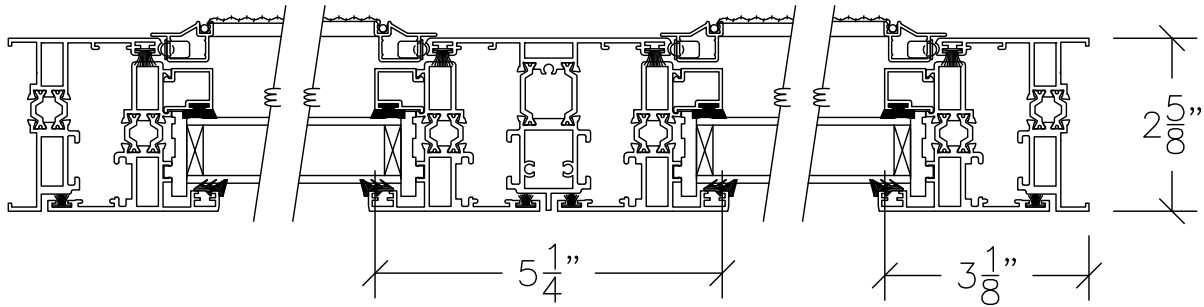
# KK6

DATE:  
5/6/11

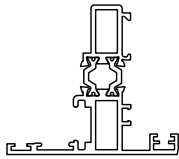
R:\DRAWINGS\BROPAGES\KK\KK6.DWG

① CASEMENT PERIMETER  
FRAME JAMB

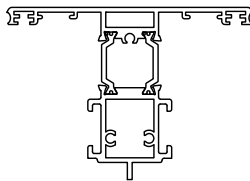
② MULLION



#1551



#1562



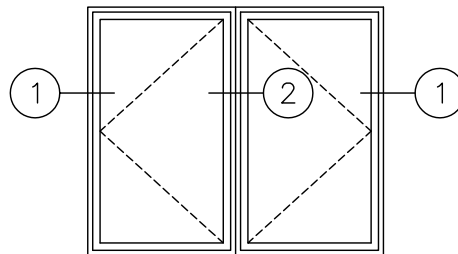
#1553



#426



#021



HORIZONTAL SECTION THROUGH CASEMENT  
WITH COMMON HEAD, SILL AND JAMBS, DOUBLE GLAZED