



# WINDOW SYSTEM

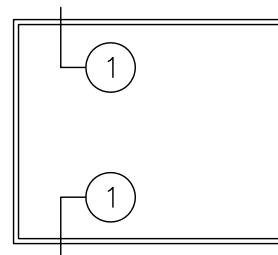
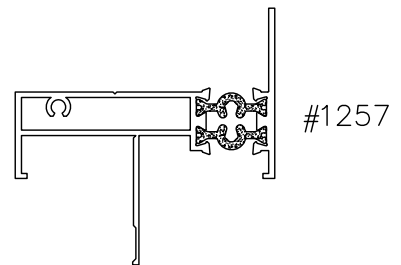
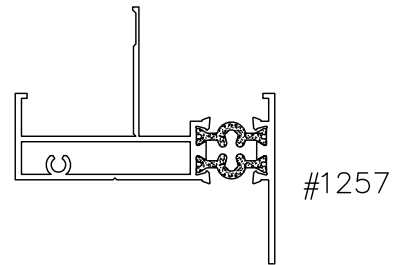
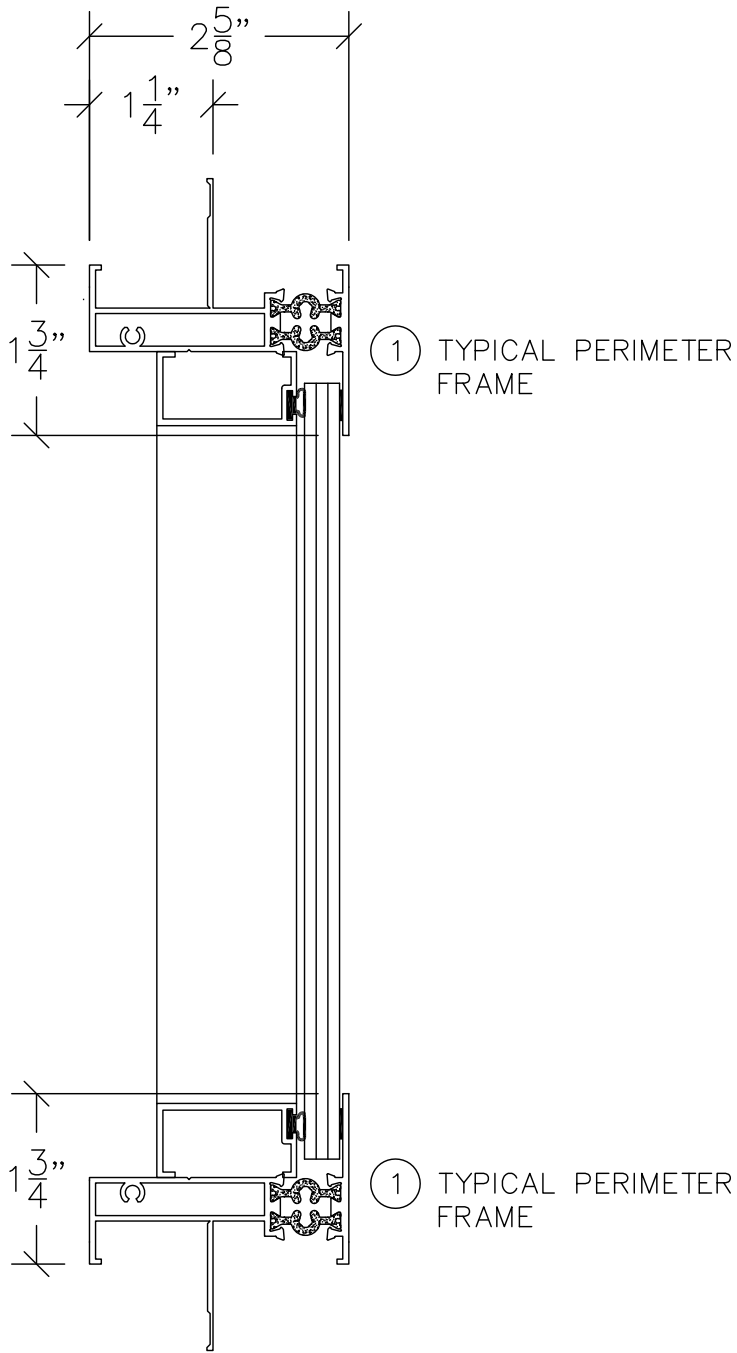
SERIES 1250 - THERMAL BREAK FIXED WINDOW

1503 W. San Pedro St., Gilbert, Arizona 85233  
VOICE: 480-892-2600/FAX : 480-892-0951/WWW.HERITAGEWINDOWS.COM

II3

DATE:  
7/30/13

R:\DRAWINGS\BROFAGES\II3.DWG



VERTICAL SECTION THROUGH THERMAL BREAK FIXED WINDOW  
SINGLE GLAZED  
SCALE: HALF SIZE