



WINDOW SYSTEM

SERIES 1500 - CASEMENT

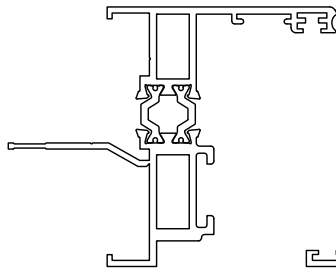
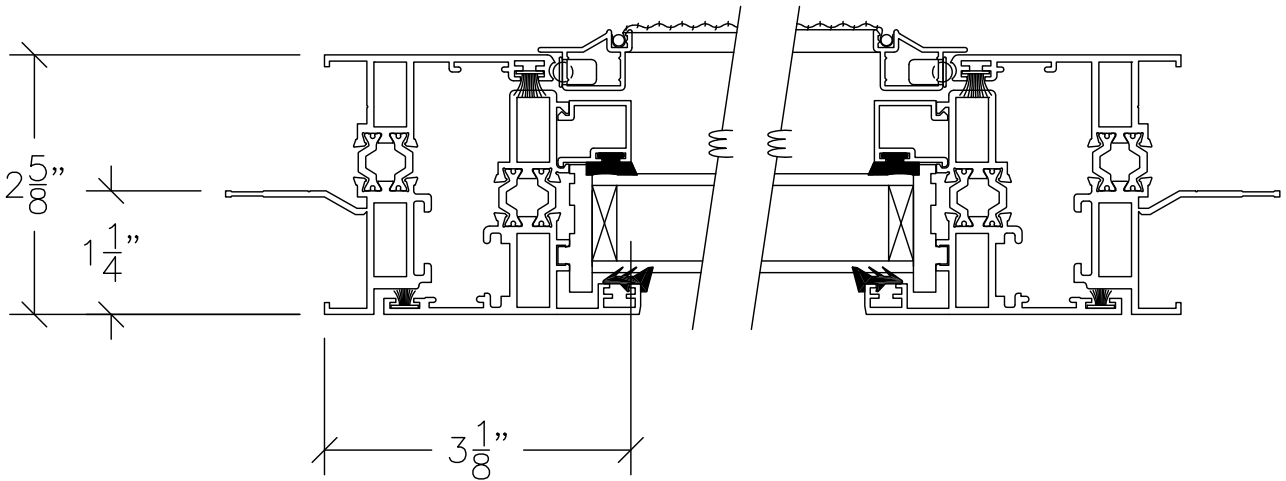
1503 W. San Pedro St., Gilbert, Arizona 85233
VOICE: 480-892-2600/FAX : 480-892-0951/WWW.HERITAGEWINDOWS.COM

KK3

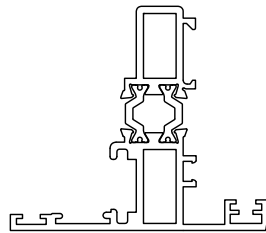
DATE:
5/6/11

R:\DRAWINGS\BROGPAGES\KK\KK3.DWG

① TYPICAL PERIMETER
FRAME & LEAF



#1551



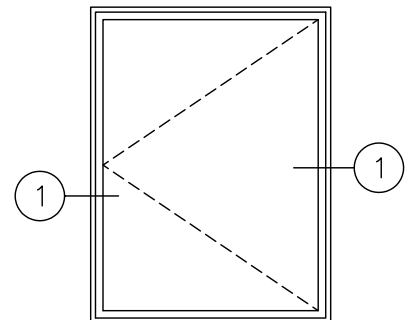
#1562



#021



#426



HORIZONTAL SECTION THROUGH THERMAL BREAK
CASEMENT WINDOW DOUBLE GLAZED

SCALE: HALF SIZE