



WINDOW SYSTEM

SERIES 311 & 811 - SLIDING WINDOW

1503 W. San Pedro St., Gilbert, Arizona 85233

VOICE: 480-892-2600 / FAX : 480-892-0951

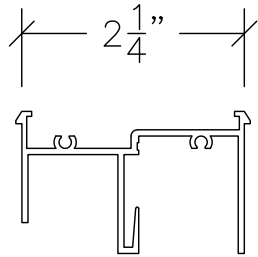
G 1

DATE:
6/1/08

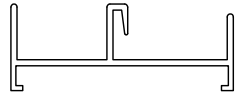
R:\DRAWINGS\BROPAGE\G-H\G1.DWG

MASONRY

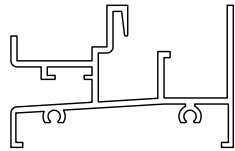
NU-WALL



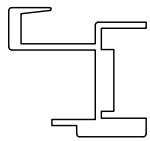
#205
HEAD



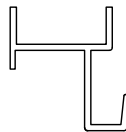
#206
JAMB



#204
SILL

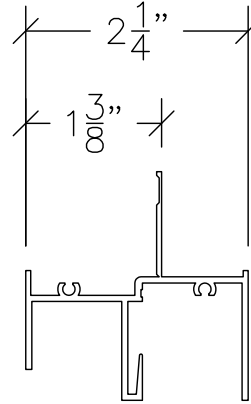


#317
MEETING RAIL
C-20 UPGRADE

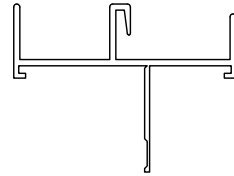


#219
MEETING RAIL

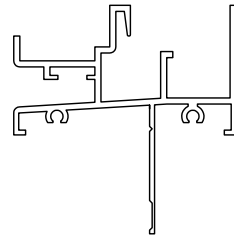
MASONRY USED
IN BLOCK CONSTRUCTION
AND FOR MULL / STACK
APPLICATIONS



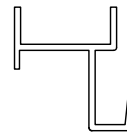
#268
HEAD



#269
JAMB



#267
SILL



#219
MEETING RAIL

1 3/8" FIN SET BACK
FOR 1" FOAM &
3/8" STUCCO

HORIZONTAL SLIDER PERIMETER FRAME EXTRUSIONS

SCALE: HALF SIZE



WINDOW SYSTEM

SERIES 311 & 811- SLIDING WINDOW - C-20

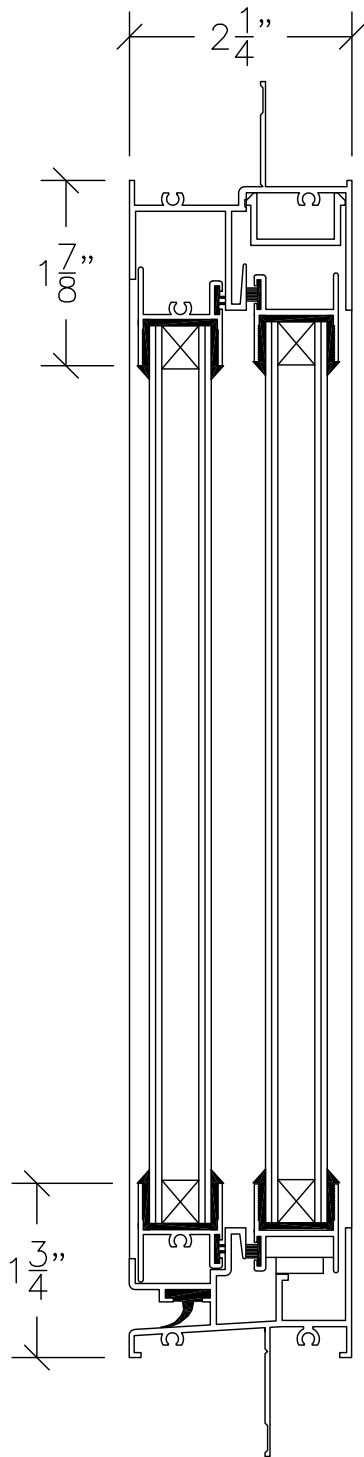
1503 W. San Pedro St., Gilbert, Arizona 85233

VOICE: 480-892-2600 / FAX : 480-892-0951

G2

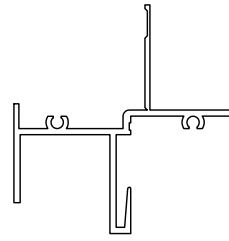
DATE:
6/1/08

R:\DRAWINGS\BROPAGE\G-H\G2.DWG

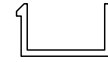


① HORIZONTAL SLIDER HEAD

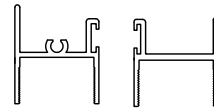
② HORIZONTAL SLIDER SILL



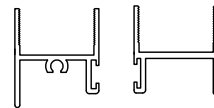
#268



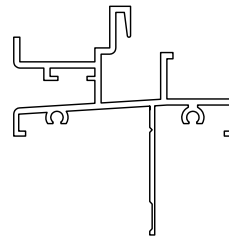
#231



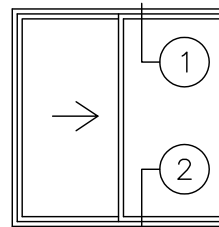
#229/
#227



#229/
#227



#267



VERTICAL SECTION THROUGH HORIZONTAL SLIDER
DOUBLE GLAZED
SCALE: HALF SIZE



WINDOW SYSTEM

SERIES 311 & 811 - SLIDING WINDOW - C-20

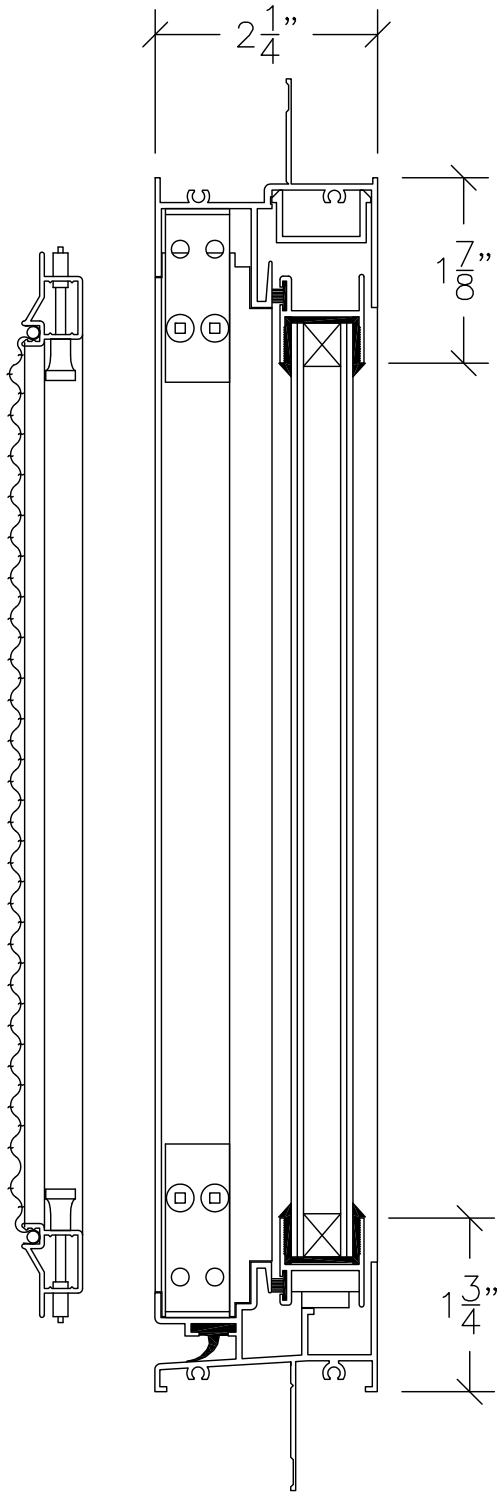
1503 W. San Pedro St., Gilbert, Arizona 85233

VOICE: 480-892-2600 / FAX : 480-892-0951

G 3

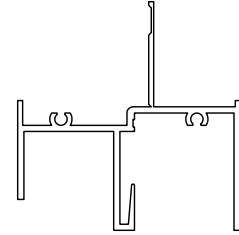
DATE:
6/1/08

R:\DRAWINGS\BROSPAGES\G-H\G3.DWG

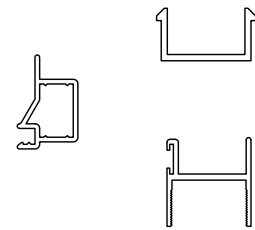


① HORIZONTAL SLIDER HEAD

② HORIZONTAL SLIDER SILL



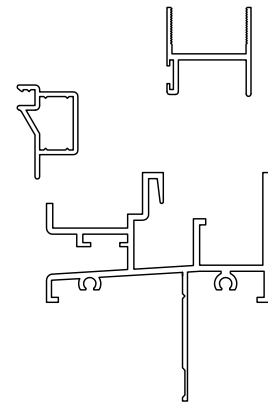
#268



#231

#021

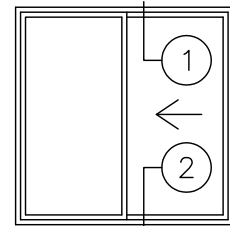
#227



#227

#021

#267



VERTICAL SECTION THROUGH HORIZONTAL SLIDER @ MEETING STILE
DOUBLE GLAZED

SCALE: HALF SIZE



WINDOW SYSTEM

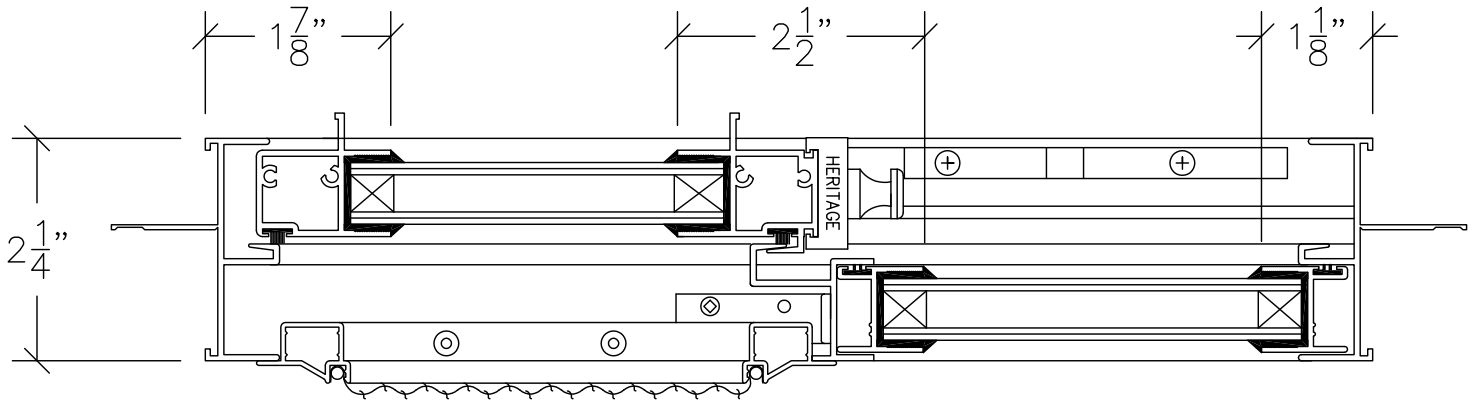
SERIES 311 - SLIDING WINDOW

1503 W. San Pedro St., Gilbert, Arizona 85233
VOICE: 480-892-2600 / FAX : 480-892-0951

G 4

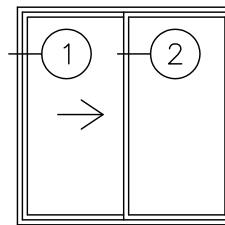
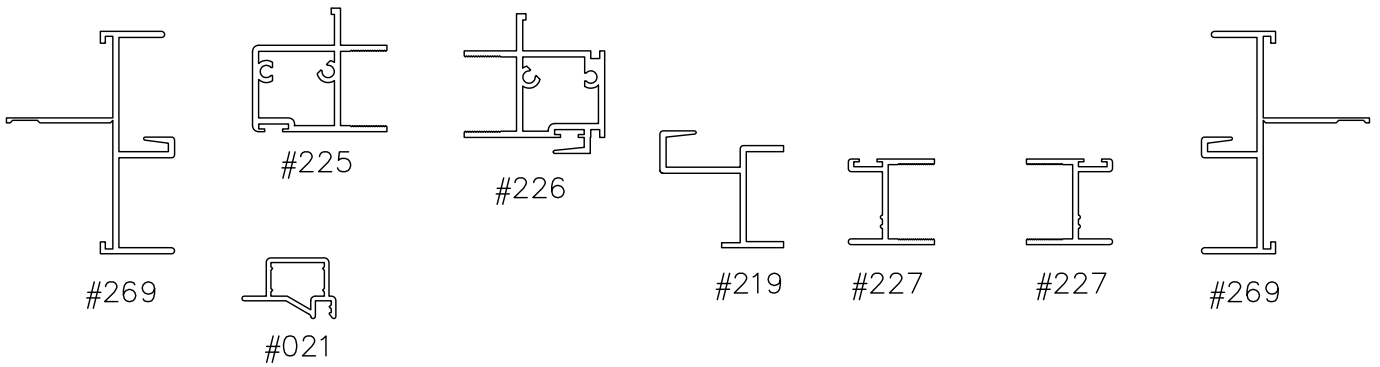
DATE:
6/1/08

R:\DRAWINGS\BROCAPAGES\G-H\G4.DWG



① HORIZONTAL SLIDER JAMB

② MEETING STILE



HORIZONTAL SECTION THROUGH HORIZONTAL SLIDER
DOUBLE GLAZED

SCALE: HALF SIZE



WINDOW SYSTEM

SERIES 811 - SLIDING WINDOW - C-20

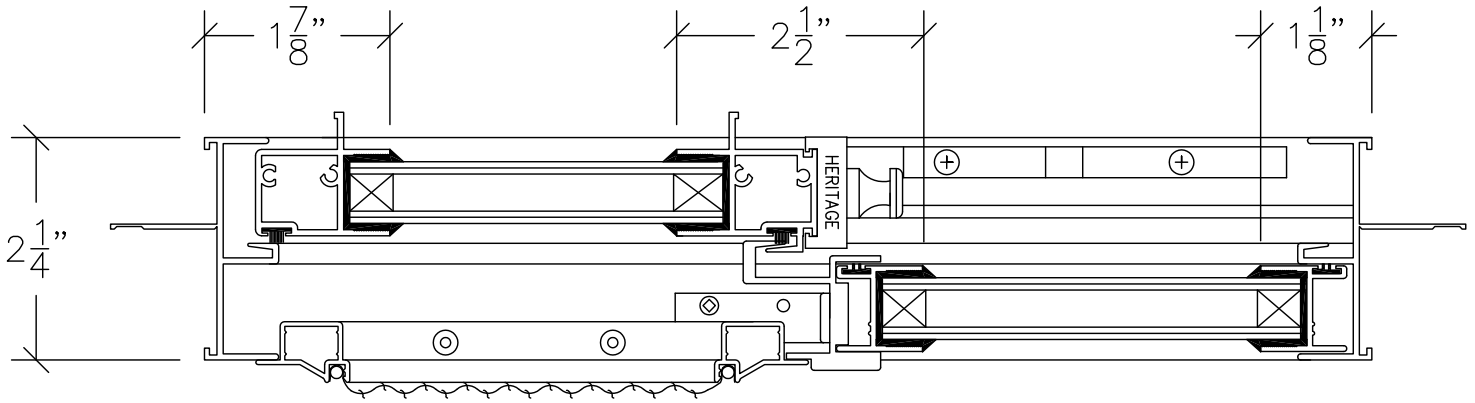
1503 W. San Pedro St., Gilbert, Arizona 85233

VOICE: 480-892-2600 / FAX : 480-892-0951

G5

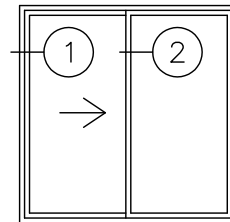
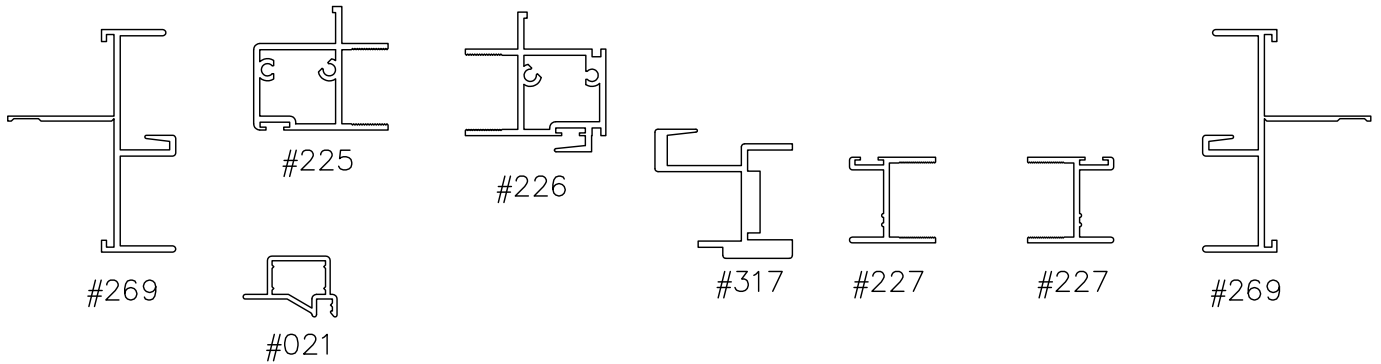
DATE:
6/1/08

R:\DRAWINGS\BROCHURES\G-H\G5.DWG



① HORIZONTAL SLIDER JAMB

② MEETING STILE



HORIZONTAL SECTION THROUGH HORIZONTAL SLIDER
DOUBLE GLAZED

SCALE: HALF SIZE



WINDOW SYSTEM

SERIES 311 - SLIDING WINDOW

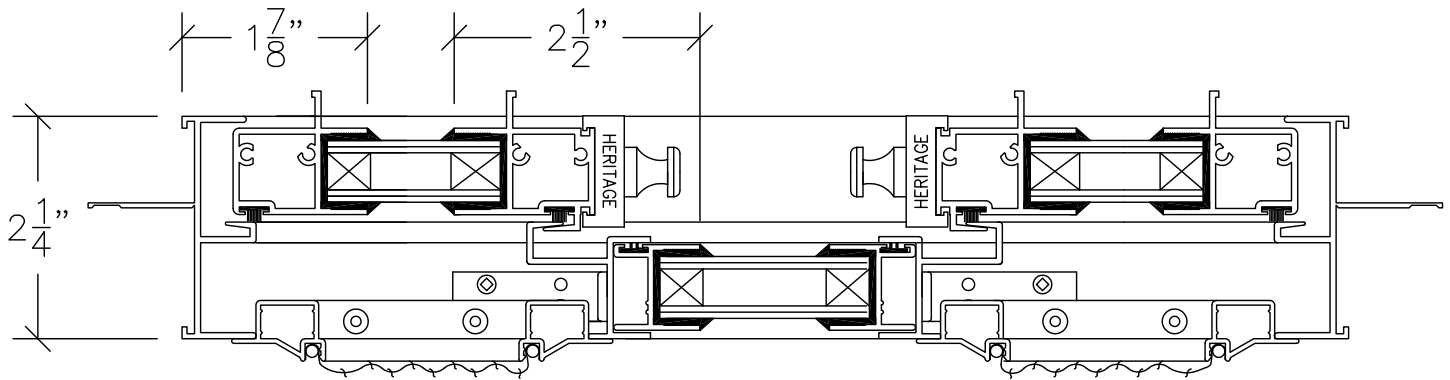
1503 W. San Pedro St., Gilbert, Arizona 85233

VOICE: 480-892-2600 / FAX : 480-892-0951

G6

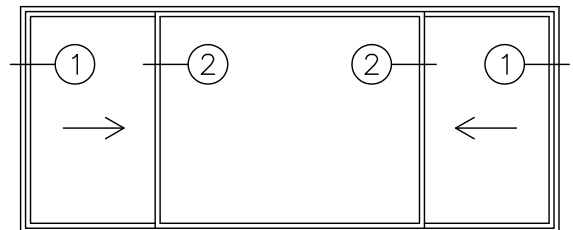
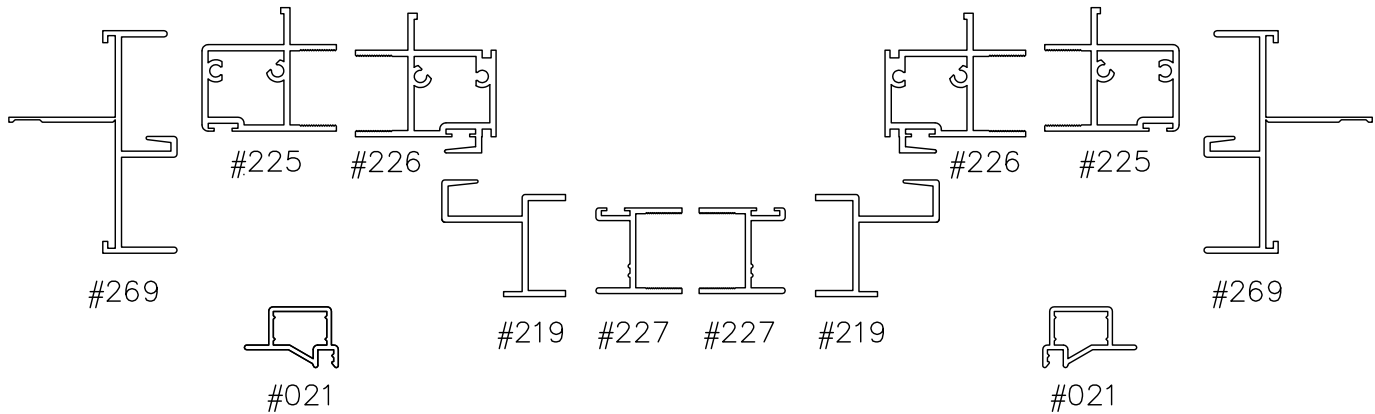
DATE:
6/1/08

R:\DRAWINGS\BROPAGE\G-H\G6.DWG



① HORIZONTAL SLIDER JAMB

② MEETING STILE



HORIZONTAL SECTION THROUGH HORIZONTAL SLIDER
DOUBLE GLAZED

SCALE: HALF SIZE



WINDOW SYSTEM

SERIES 811 - SLIDING WINDOW - C-20

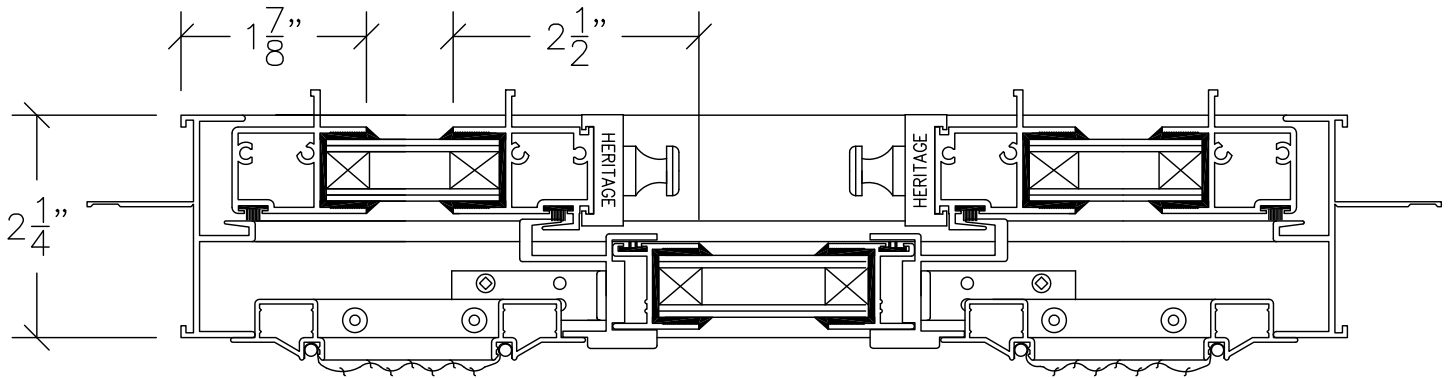
1503 W. San Pedro St., Gilbert, Arizona 85233

VOICE: 480-892-2600 / FAX : 480-892-0951

G7

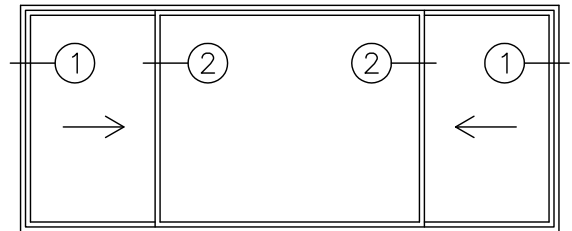
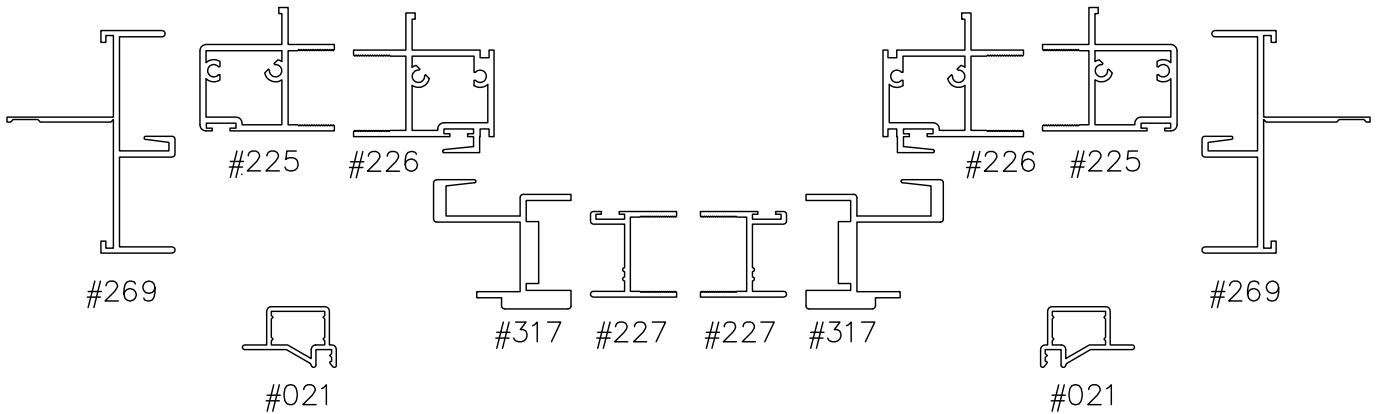
DATE:
6/1/08

R:\DRAWINGS\BROCAPAGES\G-H\G7.DWG



① HORIZONTAL SLIDER JAMB

② MEETING STILE



HORIZONTAL SECTION THROUGH HORIZONTAL SLIDER
DOUBLE GLAZED

SCALE: HALF SIZE



WINDOW SYSTEM

SERIES 311 & 811 - SLIDING WINDOW - C-20

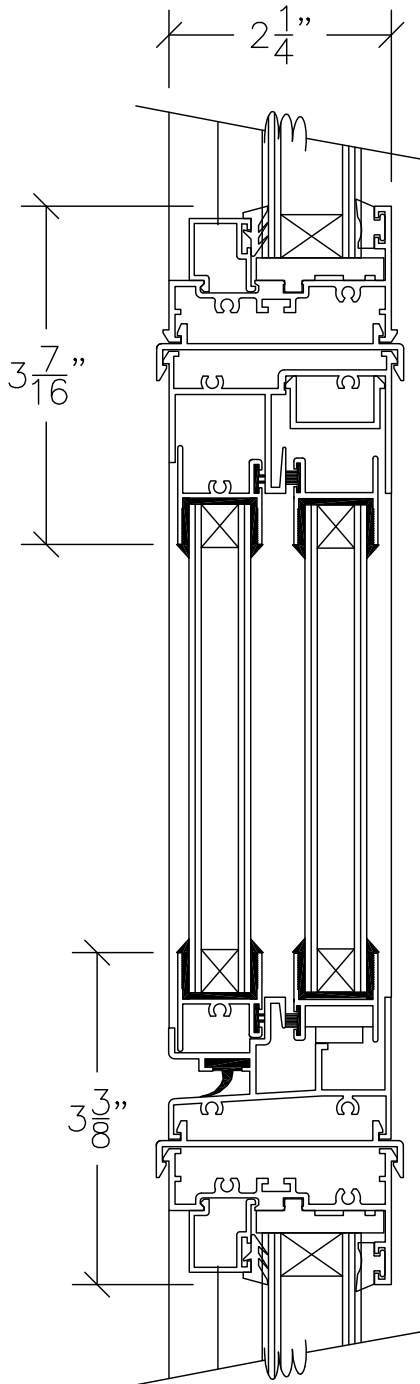
1503 W. San Pedro St., Gilbert, Arizona 85233

VOICE: 480-892-2600 / FAX : 480-892-0951

G 8

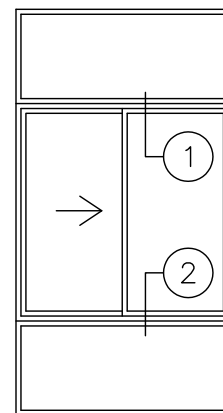
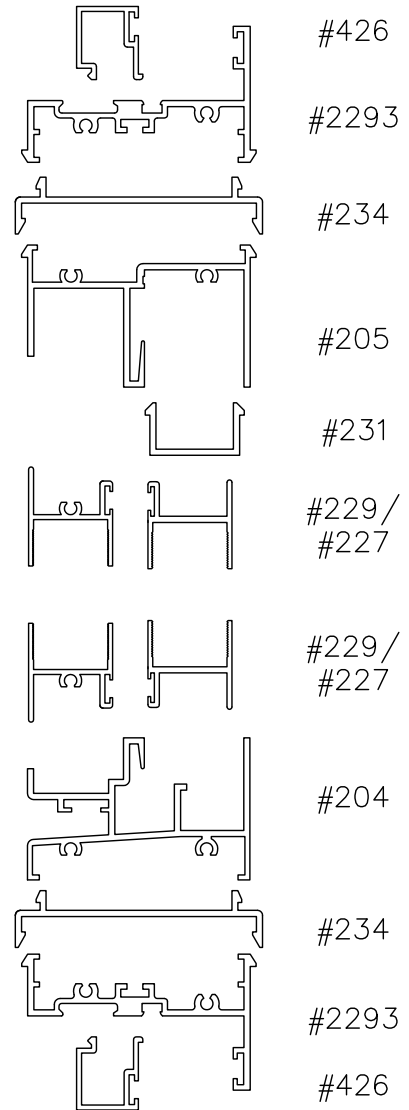
DATE:
6/1/08

R:\DRAWINGS\BROPAGE\G-H\G8.DWG



① HORIZONTAL SLIDER HEAD & FIXED FRAME SILL

② HORIZONTAL SLIDER SILL & FIXED FRAME HEAD



VERTICAL SECTION THROUGH HORIZONTAL SLIDER STACK
DOUBLE GLAZED

SCALE: HALF SIZE



WINDOW SYSTEM

SERIES 311 & 811 - SLIDING WINDOW - C-20

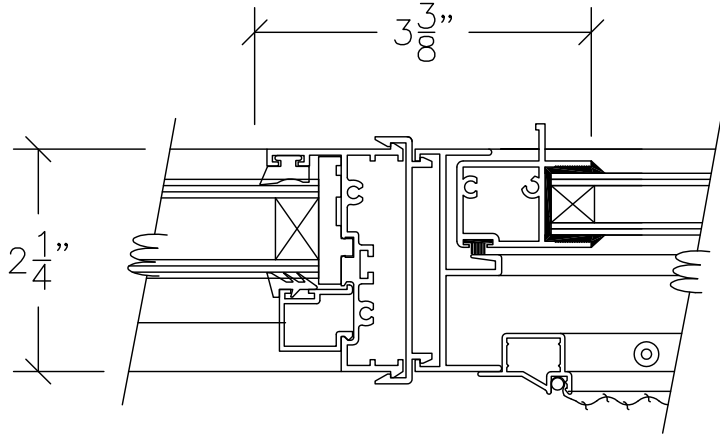
1503 W. San Pedro St., Gilbert, Arizona 85233

VOICE: 480-892-2600 / FAX : 480-892-0951

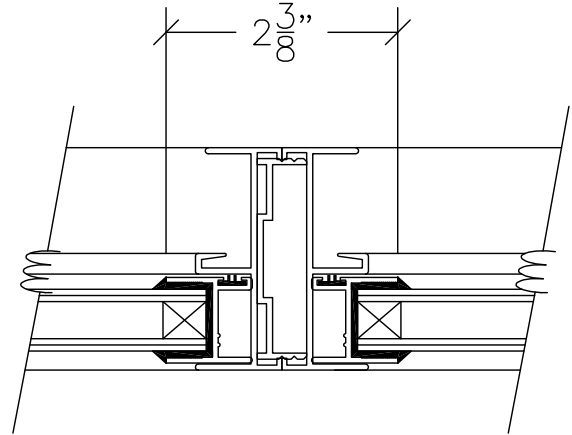
G 9

DATE:
6/1/08

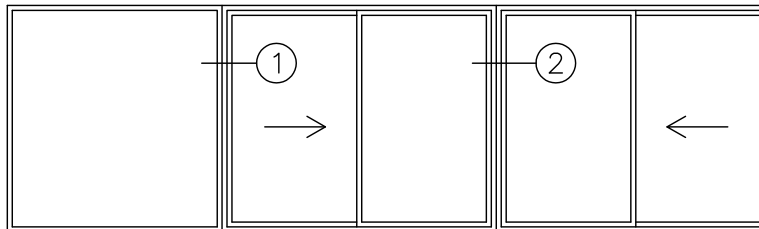
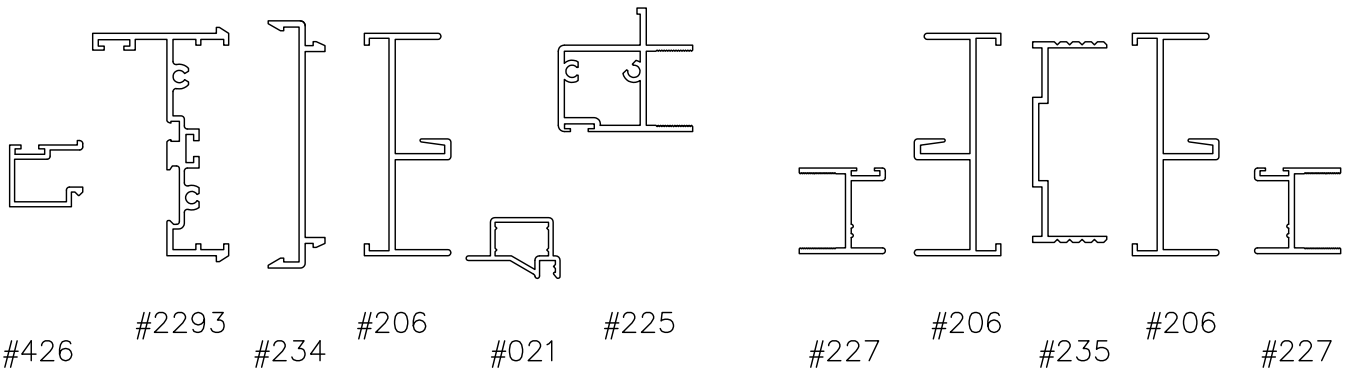
R:\DRAWINGS\BROPAGE\G-H\G9.DWG



① FIXED FRAME JAMB &
HORIZONTAL SLIDER JAMB
⊙ SNAPPING MULL



② HORIZONTAL SLIDER JAMBS
⊙ INTERNAL MULL



HORIZONTAL SECTION THROUGH HORIZONTAL SLIDER
DOUBLE GLAZED

SCALE: HALF SIZE



WINDOW SYSTEM – RESIDENTIAL

SERIES 311 & 811 – SLIDING WINDOW – C-20

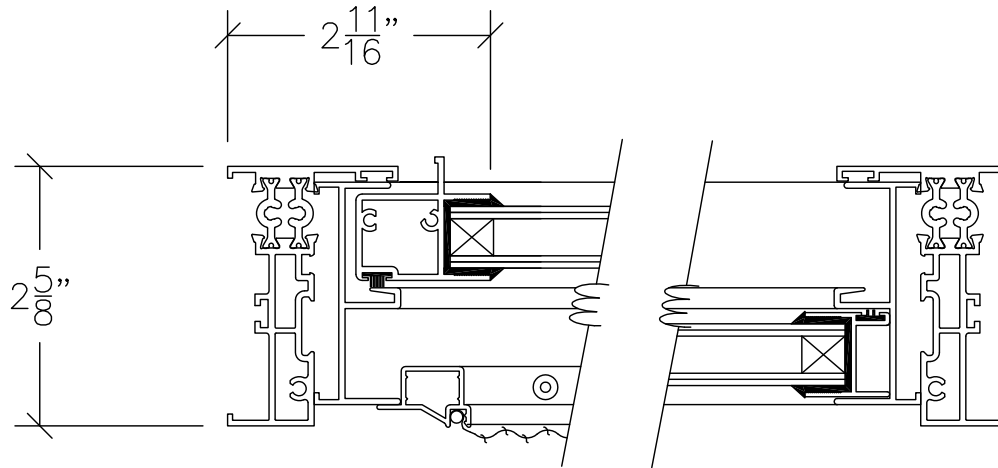
1503 W. San Pedro St., Gilbert, Arizona 85233

VOICE: 480-892-2600 / FAX : 480-892-0951

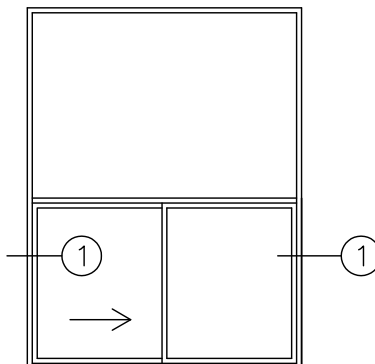
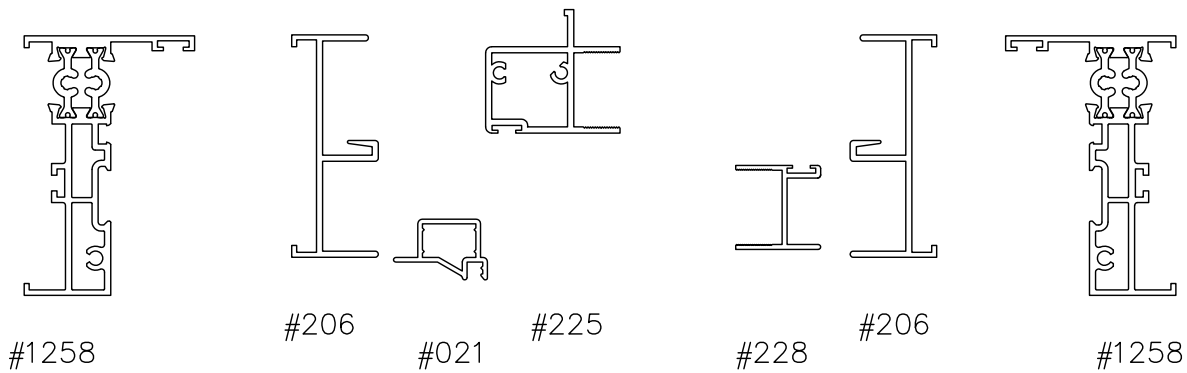
G10

DATE:
6/1/08

R:\DRAWINGS\BROPAGE'S-B-P\G10.DWG



- ① FIXED FRAME JAMB & HORIZONTAL SLIDER JAMB
- ⊙ SNAPPING MULL



HORIZONTAL SECTION THROUGH HORIZONTAL SLIDER INSERT
DOUBLE GLAZED
SCALE: HALF SIZE