



# WINDOW SYSTEM

SERIES 1210 - SINGLE HUNG WINDOW

1503 W. San Pedro St., Gilbert, Arizona 85233  
VOICE: 480-892-2600/FAX : 480-892-0951/WWW.HERITAGEWINDOWS.COM

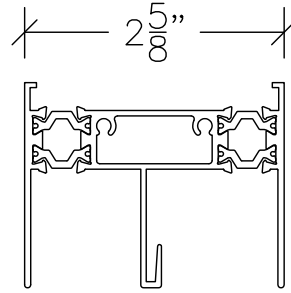
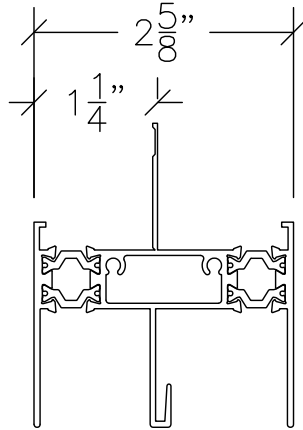
# HH1

DATE:  
9/16/11

R:\DRAWINGS\BROPAGES\HH\HH1.DWG

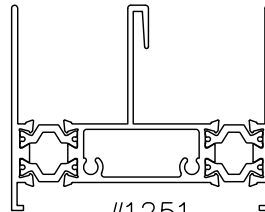
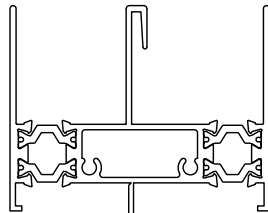
NU-WALL

MASONRY



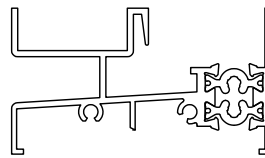
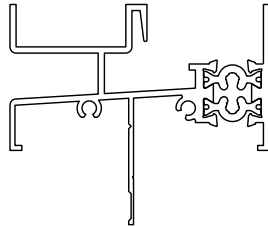
#1251  
HEAD

#1251  
HEAD



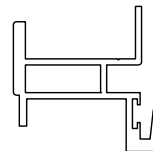
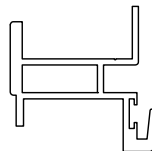
#1251  
JAMB

#1251  
JAMB



#1250  
SILL

#1250  
SILL



#1207  
MEETING RAIL

#1207  
MEETING RAIL

1 3/8" FIN SET BACK  
FOR 1" FOAM &  
3/8" STUCCO

MASONRY USED  
IN BLOCK CONSTRUCTION  
AND FOR MULL / STACK  
APPLICATIONS

## SINGLE HUNG PERIMETER FRAME EXTRUSIONS

SCALE: HALF SIZE



# WINDOW SYSTEM

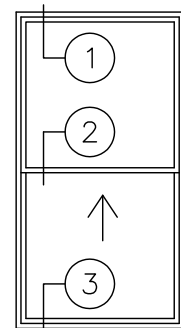
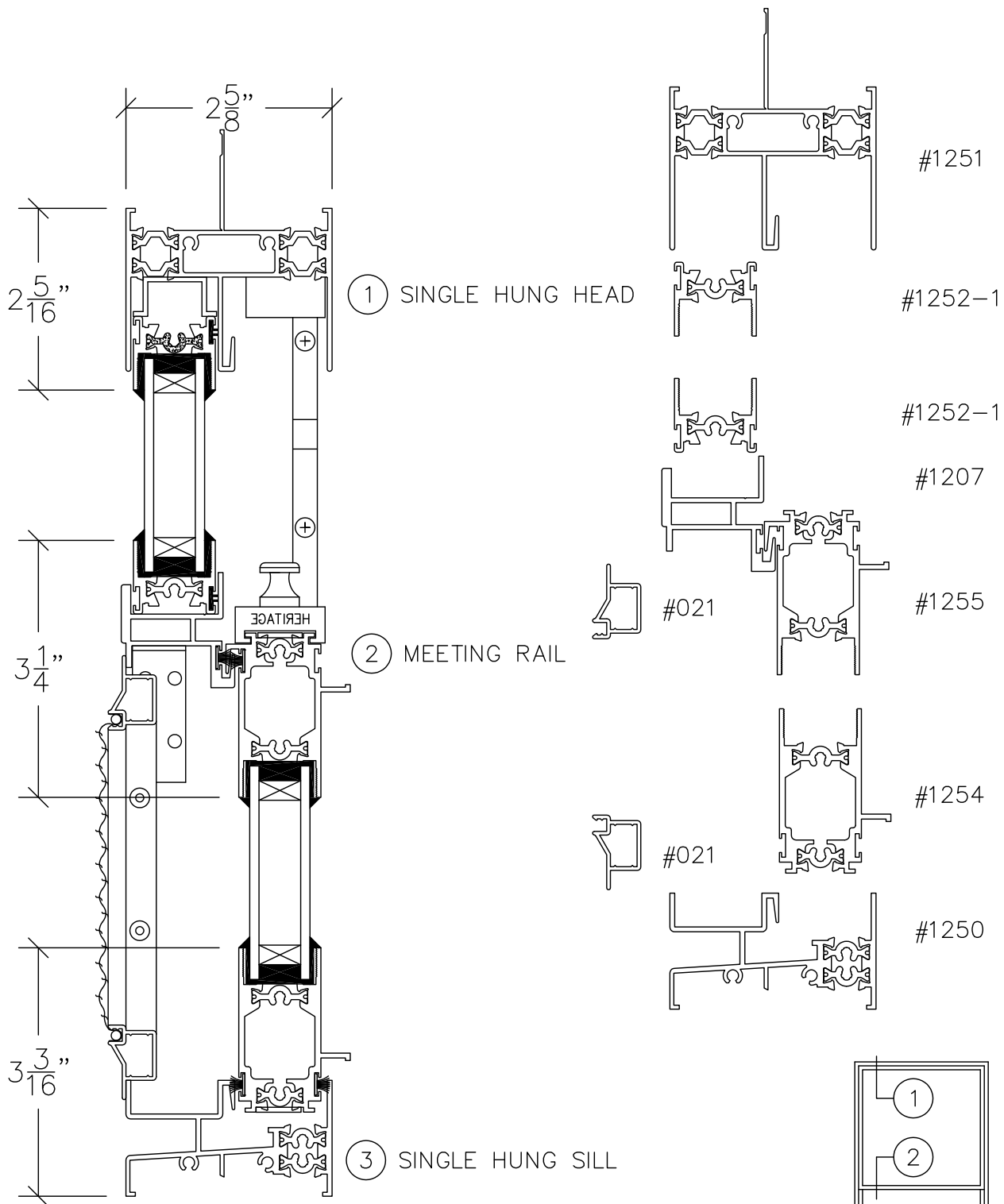
SERIES 1210 - SINGLE HUNG WINDOW

1503 W. San Pedro St., Gilbert, Arizona 85233  
VOICE: 480-892-2600/FAX : 480-892-0951/WWW.HERITAGEWINDOWS.COM

# HH2

DATE:  
9/16/11

R:\DRAWINGS\BROPAGES\HH\HH2.DWG



VERTICAL SECTION THROUGH SINGLE HUNG  
DOUBLE GLAZED

SCALE: HALF SIZE



# WINDOW SYSTEM

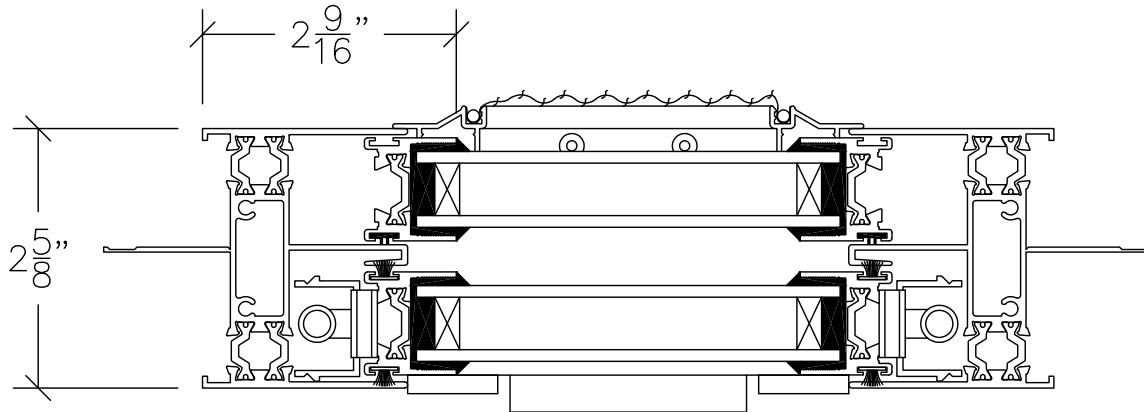
SERIES 1210 - SINGLE HUNG WINDOW

1503 W. San Pedro St., Gilbert, Arizona 85233  
VOICE: 480-892-2600/FAX : 480-892-0951/WWW.HERITAGEWINDOWS.COM

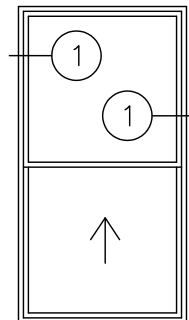
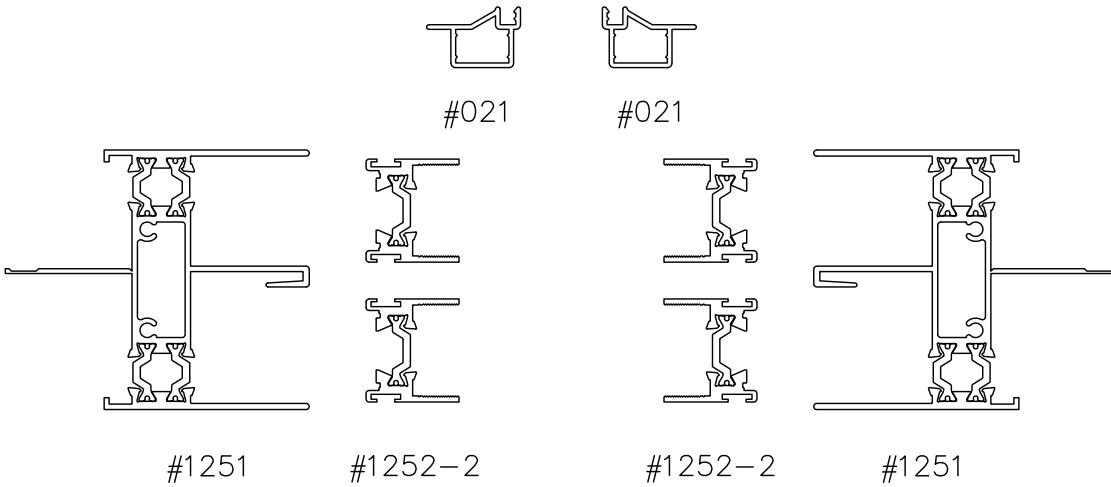
# HH3

DATE:  
9/16/11

R:\DRAWINGS\BROGPAGES\HH\HH3.DWG



① SINGLE HUNG JAMB



HORIZONTAL SECTION THROUGH SINGLE HUNG  
DOUBLE GLAZED  
SCALE: HALF SIZE



# WINDOW SYSTEM

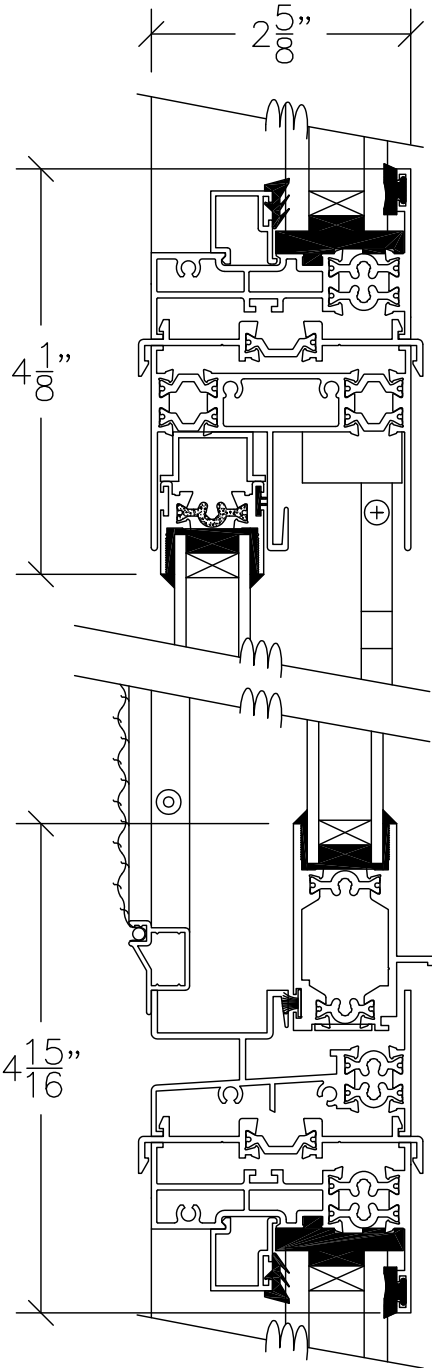
SERIES 1210 - SINGLE HUNG WINDOW

1503 W. San Pedro St., Gilbert, Arizona 85233  
VOICE: 480-892-2600/FAX : 480-892-0951/WWW.HERITAGEWINDOWS.COM

# HH4

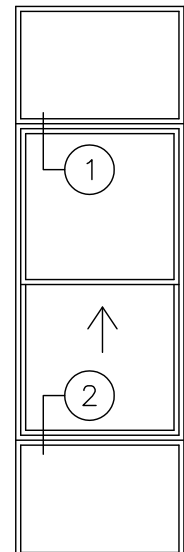
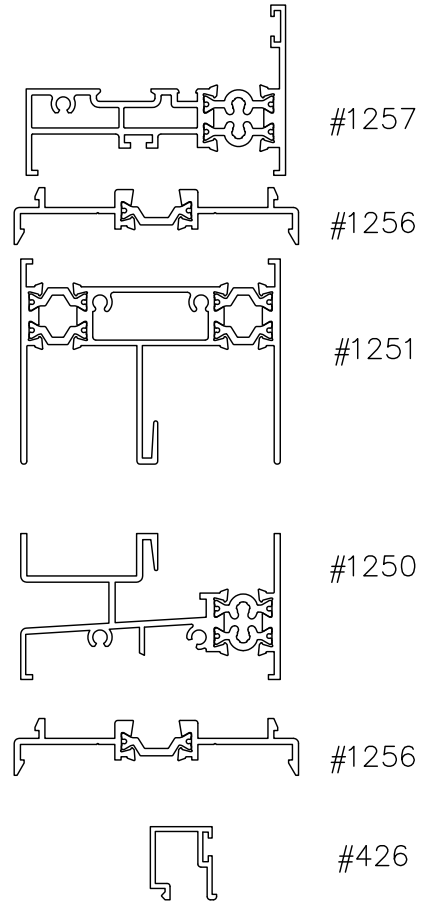
DATE:  
9/16/11

R:\DRAWINGS\BROGPAGES\HH\HH4.DWG



① FIXED FRAME SILL & SINGLE HUNG HEAD

② SINGLE HUNG SILL & FIXED FRAME HEAD



VERTICAL SECTION THROUGH SINGLE HUNG STACK  
DOUBLE GLAZED  
SCALE: HALF SIZE



# WINDOW SYSTEM

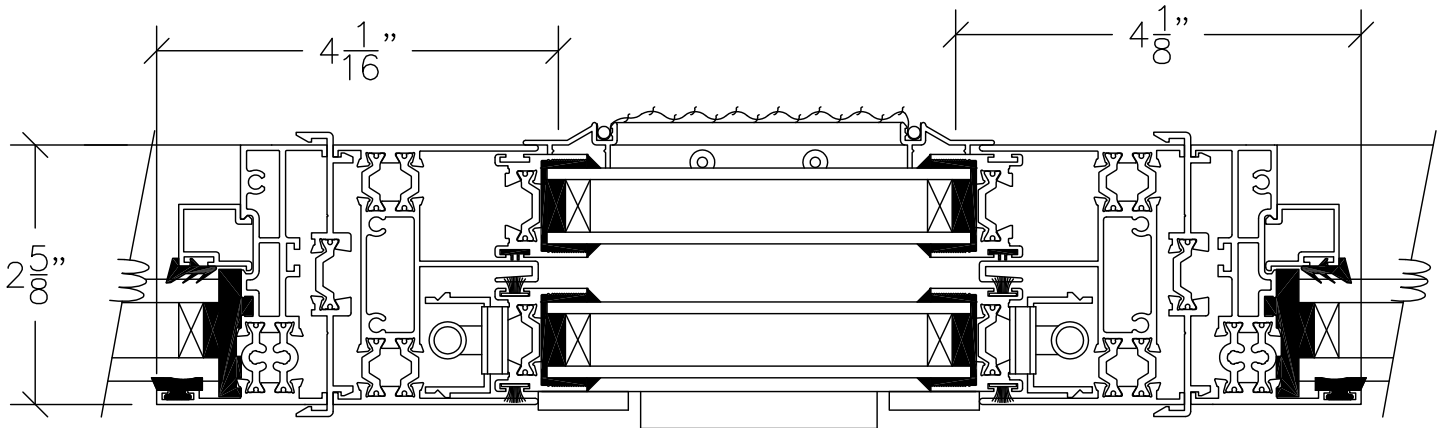
SERIES 1210 - SINGLE HUNG WINDOW

1503 W. San Pedro St., Gilbert, Arizona 85233  
VOICE: 480-892-2600/FAX : 480-892-0951/WWW.HERITAGEWINDOWS.COM

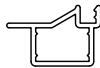
# HH5

DATE:  
5/6/11

R:\DRAWINGS\BROPAGES\HH\HH5.DWG



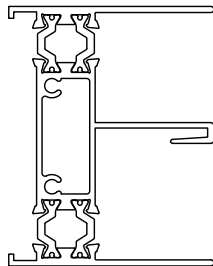
① SINGLE HUNG JAMB



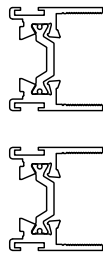
#021



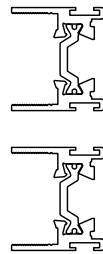
#021



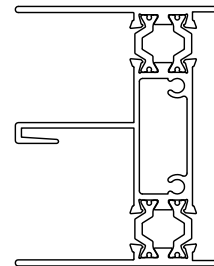
#1251



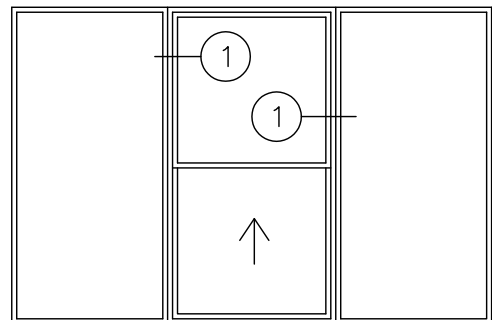
#1252-2



#1252-2



#1251



HORIZONTAL SECTION THROUGH SINGLE HUNG  
DOUBLE GLAZED

SCALE: HALF SIZE